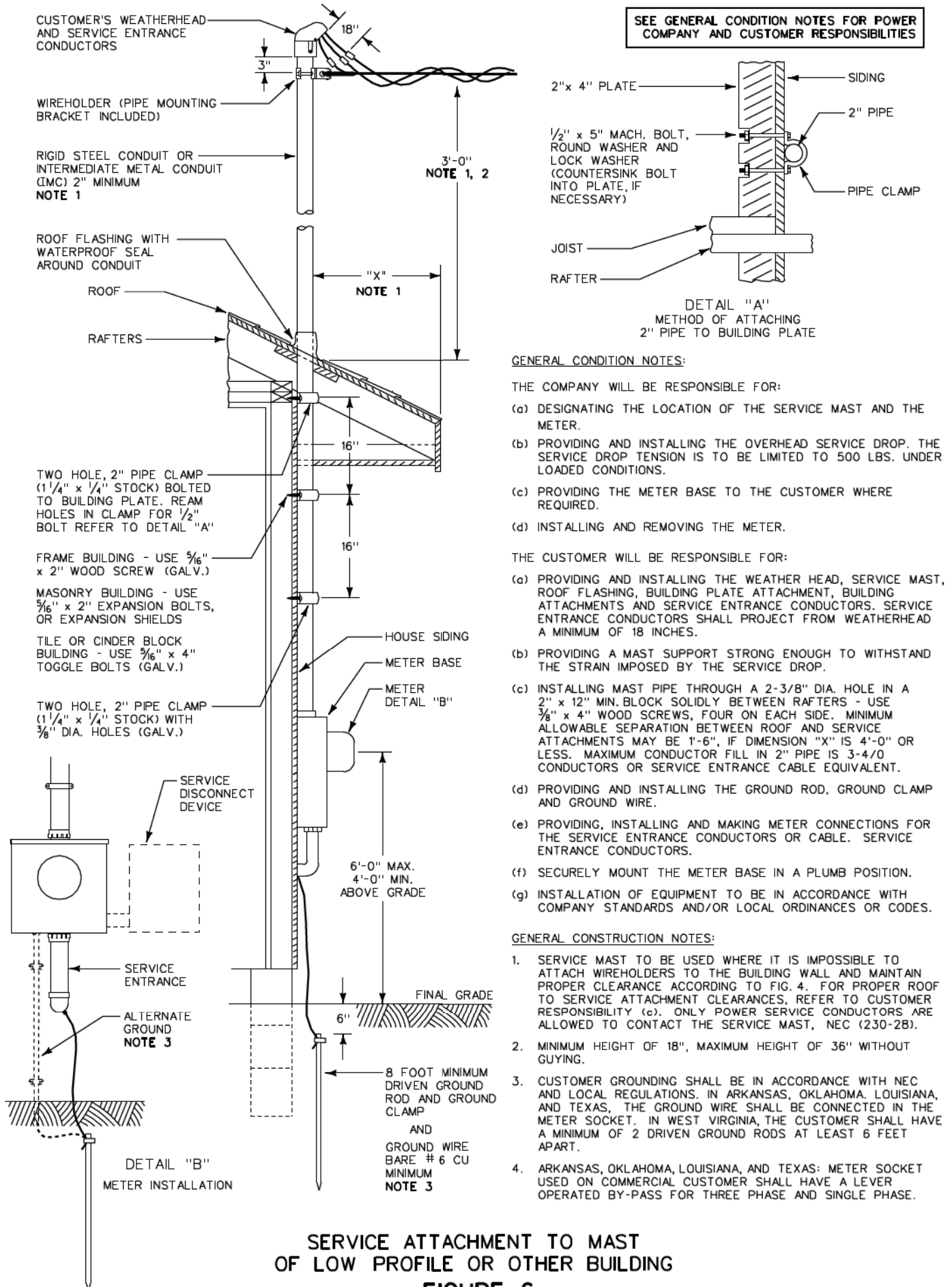
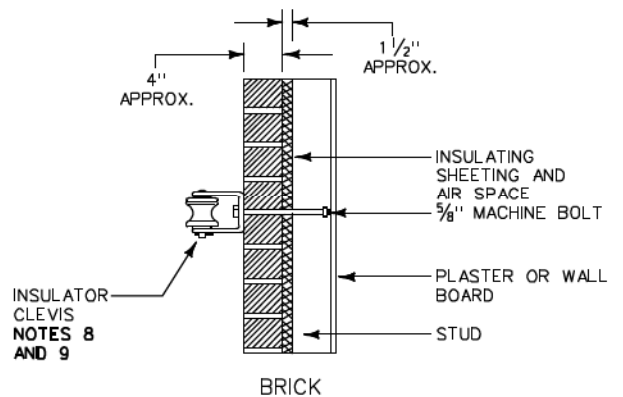
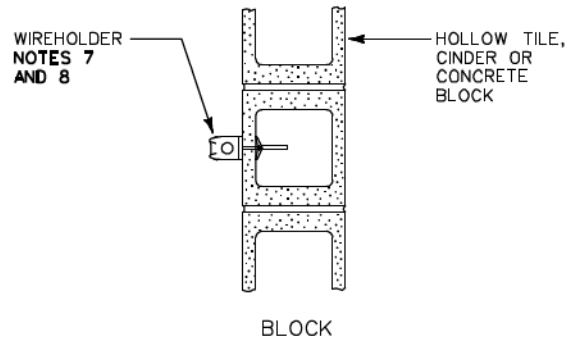
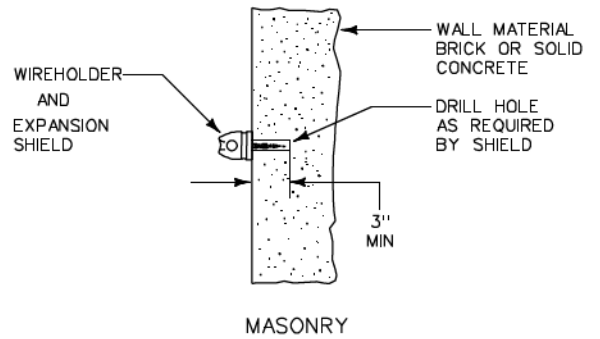
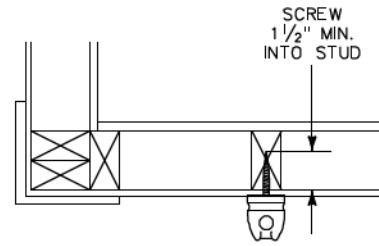
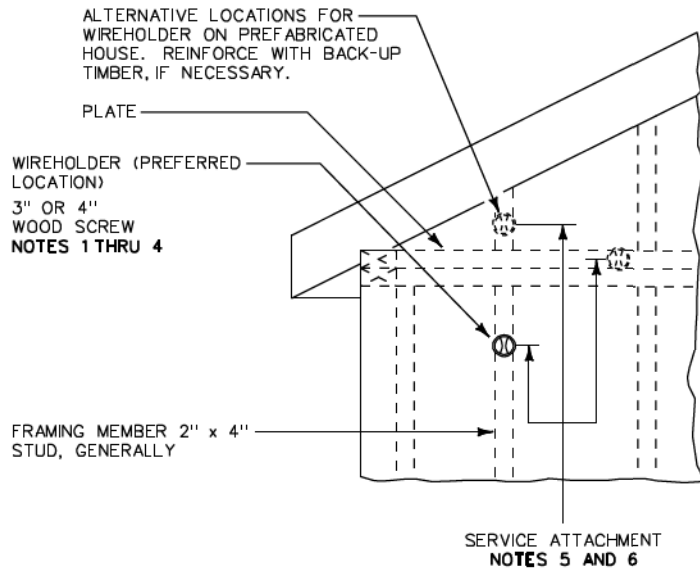


# AEP Meter & Service Guide



**SERVICE ATTACHMENT TO MAST  
OF LOW PROFILE OR OTHER BUILDING  
FIGURE 6**

# AEP Meter & Service Guide



**NOTES:**

1. SELECTION OF A 3 OR 4 INCH SCREW LENGTH IS DEPENDENT ON THE THICKNESS OF MATERIAL (FACING, INSULATION - ETC.) WHICH MUST BE PENETRATED BEFORE A SOLID FRAMING MEMBER IS ENCOUNTERED.
2. DRILL A 7/32" DIAMETER HOLE INTO THE WALL STUD BEFORE INSTALLING WIREHOLDERS (TO AVOID SPLITTING THE WOOD OR BREAKING THE WIREHOLDER). WIREHOLDER SCREW MUST BE INSTALLED AS FAR AS POSSIBLE SO THAT WIREHOLDER IS TIGHT AND FLUSH WITH OUTSIDE FRAME SURFACE. AT LEAST 1/2" OF SCREW MUST PENETRATE THE STUD.
3. FOR PREFABRICATED HOUSES - WHERE THE STUD IS GENERALLY 2" X 2", CUT THE WIREHOLDER SCREW TO THE REQUIRED LENGTH WITH BOLT CUTTERS IF GROUND CLEARANCES PERMIT SERVICE DROP TO BE ATTACHED BELOW CEILING LINE. OTHERWISE, USE ALTERNATIVE WIREHOLDER LOCATIONS SHOWN OR USE A SERVICE MAST, REFER TO FIGURE 6.
4. STRUCTURE LOADING AT WIREHOLDER:
  - (a) FOR #4, #2 AWG AND 1/0 SERVICE DROP CABLE - STRUCTURE TO WITHSTAND A MINIMUM PULL OF 1000 LBS. PER WIREHOLDER.
  - (b) FOR 4/0 AWG SERVICE DROP CABLE - STRUCTURE TO WITHSTAND A MINIMUM PULL OF 1500 LBS. PER WIREHOLDER.
5. THE SERVICE ATTACHMENT SHALL BE INSTALLED AT A HEIGHT THAT MAINTAINS REQUIRED CLEARANCES FOR SERVICE DROP CONDUCTORS. FOR CLEARANCES, REFER TO FIGURE 5.
6. SERVICE MAST TO BE USED WHERE IT IS IMPOSSIBLE TO ATTACH WIREHOLDER TO BUILDING WALL AND MAINTAIN PROPER CLEARANCES TO GROUND. A SERVICE MAST FOR A RESIDENCE IS REQUIRED TO PROVIDE THE REDUCED CLEARANCES OVER RESIDENTIAL DRIVEWAYS AS SHOWN IN FIGURE 5.
7. COAT ALL METAL PARTS OF THESE SERVICE DROP ATTACHMENTS WITH CORROSION-INHIBITING GREASE (WITHOUT METALLIC PARTICLES) BEFORE INSTALLING THEM IN MASONRY OR CINDER BLOCKS.
8. NEW CONSTRUCTION - FURNISH CUSTOMER OR CONTRACTOR WITH PROPER WIREHOLDER OR INSULATOR CLEVIS SO THAT SERVICE ATTACHMENT CAN BE INSTALLED AT A SUITABLE LOCATION (DESIGNATED BY THE POWER COMPANY) BY THE CONTRACTOR DURING CONSTRUCTION OF THE BUILDING.
9. FOR BRICK BUILDINGS OF RELATIVELY SOFT BRICK, INSTALL THE WIREHOLDER SCREW IN THE MORTAR BETWEEN THE BRICKS.

**SERVICE DROP ATTACHMENTS AT BUILDING  
FIGURE 7**