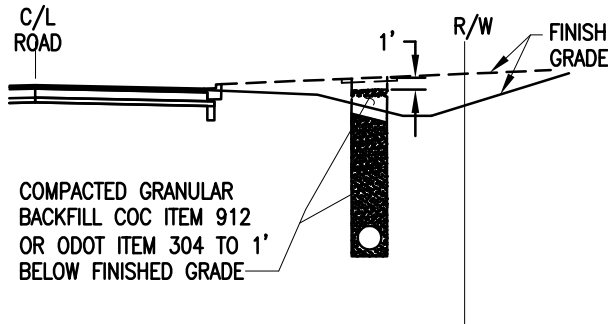


### STORM, SEWER, OR UTILITY LINE CROSSING THE ROAD

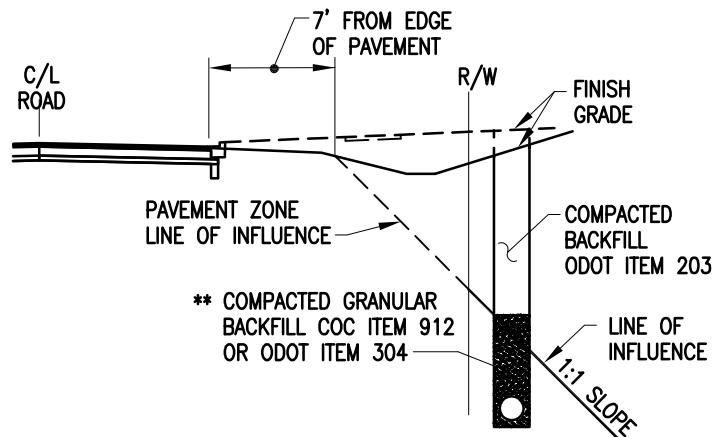
• PROVIDE LESSER OF 6' OR D THICKNESS OF COMPACTED GRANULAR MATERIAL PER ODOT ITEM 304 OR COC ITEM 912 BELOW THE PROPOSED SUBGRADE TO THE TOP OF NO. 4 STONE.

FOR UTILITIES WITH LESS THAN 6' OF FILL FROM THE PROPOSED SUBGRADE TO THE TOP OF THE UTILITY, USE FULL-DEPTH COMPACTED GRANULAR BACKFILL PER ODOT ITEM 304 OR COC ITEM 912.

THE MATERIALS FOR COC 912 SHALL BE ALLOWED EXCEPT FOR THE USE OF ANY RECYCLED MATERIALS, WHICH SHALL BE STRICTLY PROHIBITED.



### STORM, SEWER, OR UTILITY LINE PARALLEL TO ROAD INSIDE OF R/W



### STORM, SEWER, OR UTILITY LINE PARALLEL TO ROAD OUTSIDE OF R/W

**NOTES:**

TRENCH WIDTHS 12" AND GREATER:  
FOR TRENCH WIDTHS 12" OR GREATER, USE COMPACTED GRANULAR MATERIAL AS SHOWN IN THE DETAILS ABOVE.

TRENCH WIDTHS LESS THAN 12":  
FOR TRENCH WIDTHS LESS THAN 12" LOCATED WITHIN THE R/W OR THE PAVEMENT'S ZONE OF INFLUENCE, AS SHOWN ABOVE, USE ODOT ITEM 613, LOW STRENGTH MORTAR BACKFILL, TYPE 2, OR COC ITEM 613, FLOWABLE CONTROLLED DENSITY FILL, TYPE II.

**MINIMUM CASING PIPE REQUIREMENTS FOR UTILITIES WHEN REQUIRED:**

1. PRESSURIZED 12" DIA. OR LESS = C900
2. PRESSURIZED GREATER THAN 12" DIA. = C905
3. NON-PRESSURIZED = SDR21 OR SCHEDULE 40

\*\* FOR CUT SITUATIONS OUTSIDE OF THE R/W, NATIVE SOILS MAY BE USED FOR BACKFILL AS LONG AS 95% COMPACTION IS MET. TESTING IS REQUIRED FOR THE LAST 5 FEET OF FILL BEING PLACED AND MAY BE REQUIRED FOR ALL TRENCH BACKFILL AT THE DISCRETION OF THE ENGINEER.

**CHRIS E. BAUSERMAN, P.E., P.S.**  
Delaware County Engineer

STANDARD CONSTRUCTION DRAWING  
**BACKFILL DETAIL**  
STORM, SANITARY, AND UTILITIES

**DELAWARE COUNTY ENGINEER'S OFFICE**  
50 Channing Street  
Delaware, Ohio 43015  
PHONE: (740)833-2400 FAX: (740)833-2399  
www.co.delaware.oh.us

APPROVED  
1-22-2008

REVISED  
11-10-2016

Drawn EM  
Checked JP

sheet 1  
of 1

FILE NO.  
DCED-R100