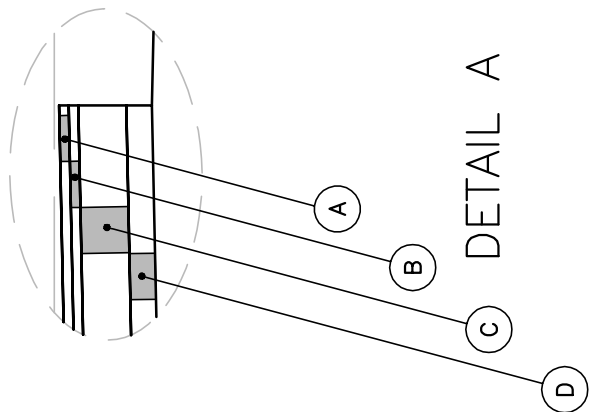


SECTION

LEGEND

- A. 1-1/2" ASPHALT CONCRETE SURFACE COURSE, ITEM 441
- B. 1-1/2" ASPHALT CONCRETE INTERMEDIATE COURSE, ITEM 441
- C. 7-1/2" BITUMINOUS AGGREGATE BASE, ITEM 301
- D. 4" CRUSHED AGGREGATE BASE, ITEM 304
- E. 8" CONCRETE COMBINED CURB & GUTTER PER DRAWING DCED-R2020
- F. STANDARD SIDEWALK (4" THICK) PER DRAWING DCED-R2300
- G. SEEDING AND MULCHING, ITEM 659



ON ENTRANCE STREETS WITH A ADT < 1500 VPD, PROVIDE 200' ENTRANCE STREET LENGTH (INCLUDING 50' DIVERGENT TAPER).
 SPECIFIC PAVEMENT BUILDUP ON ENTRANCE STREET MAY DIFFER FROM ABOVE AND SHALL BE BASED ON CURRENT COUNTY STANDARDS.
 ON COMMERCIAL STREETS, PAVEMENT DESIGN SHALL BE BASED ON CURRENT COUNTY STANDARDS.
 VERIFY REQUIRED PAVEMENT DESIGN WITH COUNTY ENGINEER. IN NO CASE SHALL THE PAVEMENT THICKNESSES BE LESS THAN THOSE SHOWN.



Chris E. Bauserman

Chris E. Bauserman, P.E., P.S.
 Delaware County Engineer

APPROVED 2010/01/04
 REVISED 2021/08/09

STANDARD CONSTRUCTION DRAWING	
COLLECTOR STREET	
SECTION AND DETAIL	
36' SECTION FC/FC	
1500 VPD < ADT < 3500 VPD	
sheet <u>1</u> of <u>1</u>	DCED-R2135A