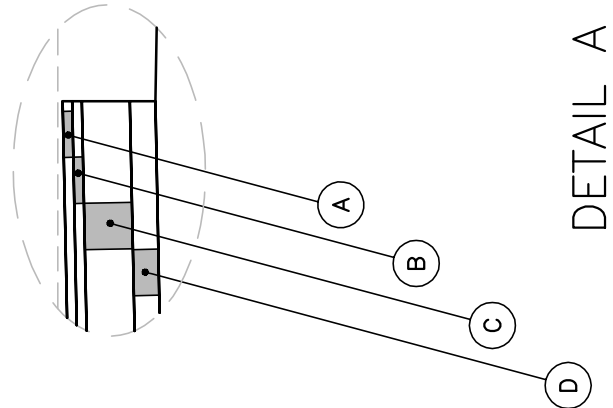


SECTION



DETAIL A

LEGEND

- A. 1-1/2" ASPHALT CONCRETE SURFACE COURSE, ITEM 441
- B. 1-1/2" ASPHALT CONCRETE INTERMEDIATE COURSE, ITEM 441
- C. 3" BITUMINOUS AGGREGATE BASE, ITEM 301
- D. 4" CRUSHED AGGREGATE BASE, ITEM 304
- E. 6" CONCRETE COMBINED CURB & GUTTER PER DRAWING DCED-R2010
- F. STANDARD SIDEWALK (4" THICK) PER DRAWING DCED-R2300
- G. SEEDING AND MULCHING, ITEM 659

LOW DENSITY WITH RESTRICTED PARKING



Chris E. Bauserman

Chris E. Bauserman, P.E., P.S.
Delaware County Engineer

APPROVED 2010/01/04

REVISED 2021/08/09

STANDARD CONSTRUCTION DRAWING
LOCAL STREET
SECTION AND DETAIL
27' SECTION FC/FC
ADT < 200 VPD

sheet 1 of 1 DCED-R2135D