

SECTION

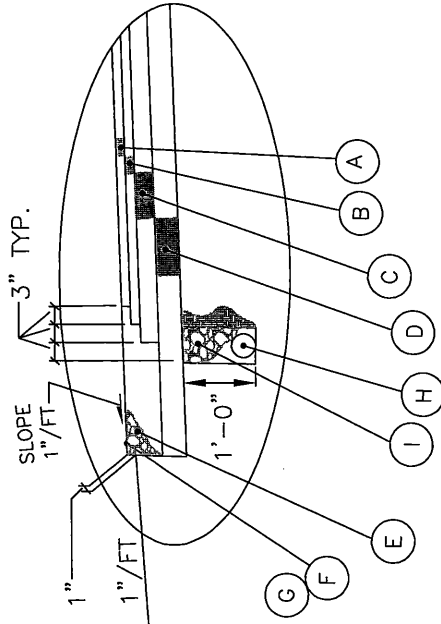
LEGEND

- A. 1-1/2" ASPHALT CONCRETE SURFACE COURSE, ITEM 404
- B. 1-1/2" ASPHALT CONCRETE INTERMEDIATE COURSE, ITEM 402
- C. 3" BITUMINOUS AGGREGATE BASE, ITEM 301
- D. 4" CRUSHED AGGREGATE BASE, ITEM 304
- E. CRUSHED AGGREGATE BERM, ITEM 304 (SEE NOTE 1 BELOW).
- F. BITUMINOUS PRIME COAT, ITEM 408, 702.02 RC-250, MC-30, MC-70 OR MC 250 (APPLIED AT 0.40 GAL. PER SQ. YD.)
- G. SEAL COAT, ITEM 409, 702.02, RC-250, RC-800, MC-800, MC-3000, 702.03, CBAE-800 OR 702.04, RS-1, RS-2, CRS-1, CRS-2 (USING 0.30 GAL. BITUMINOUS MATERIAL PER SQ. YD.) AND .008 CU.YD. COVER AGGREGATE PER SQ. YD.
- H. 4" PIPE UNDERDRAIN, ITEM 605
- I. NO.8 OR NO. 57 AGGREGATE
- J. SEEDING AND MULCHING, ITEM 659

NOTES:

1. VERIFY WITH TOWNSHIP WHETHER TO PROVIDE REINFORCED SHOULDER PER STANDARD DRAWING DCED-R2137.
2. THE MINIMUM DITCH DEPTH SHALL BE 1.5'.
3. ADDITIONAL EASEMENT FOR DITCH BACKSLOPE MAY BE REQUIRED AT THE DISCRETION OF THE COUNTY ENGINEER.

* IN CASES WHERE 50' R/W IS PROVIDED, DRAINAGE AND UTILITY EASEMENTS SHALL BE REQUIRED.



DETAIL A

CHRIS E. BAUSERMAN, P.E., P.S.
Delaware County Engineer

Chris Bauserman
Delaware County Engineer

APPROVED
1-04-2010

REVISED

STANDARD CONSTRUCTION DRAWING

LOCAL STREET
SECTION AND DETAIL

20' EP/EP
ADT<200 VPD

DELAWARE COUNTY ENGINEER'S OFFICE

50 Channing Street
Delaware, Ohio 43015

PHONE: (740)833-2400 FAX: (740)833-2399
www.co.delaware.oh.us

Drawn MR sheet 1
Checked EM of 1

FILE NO.
DCED-R21351