

**NOTES**

**GENERAL:** THIS DRAWING IS APPLICABLE FOR ROAD AND STREET NAME SIGNS PLACED AT INTERSECTIONS OF COUNTY ROADS WITH ANY OTHER ROAD.

**MATERIALS:** IN ADDITION TO 630, ALL SIGN SHEET MATERIAL SHALL BE DIAMOND GRADE DG3 MANUFACTURED BY 3M COMPANY.

**SIGN:** FONT SHALL BE THE FWHA STANDARD 'C' FONT. ALL WORDS OF THE THE FIRST LETTER OF EACH WORD SHALL BE CAPITALIZED AND REMAINING LETTERS USE LOWER CASE. BACKGROUND SHALL BE STANDARD GREEN EC FILM MANUFACTURED BY 3M. THIS SIGN SHALL BE DOUBLE SIDED, AND MOUNTED IN A SIGN FIX DOUBLE TEE EXTRUDED CHANNEL WITH 2" SADDLE BRACKETS.

**SUPPORT:** GROUND MOUNTED POST SUPPORTS SHALL BE A SQUARE POST WITH ANCHOR BASE. ALL POSTS SHALL BE 2"x2" 12 GAUGE SQUARE TUBING WITH OPEN HOLES AND ALL ANCHOR BASES SHALL BE 2 1/4"x2 1/4" 12 GAUGE SQUARE TUBING WITH OPEN HOLES.

**LOCATION:** SIGN SHALL BE PLACED AT THE FAR RIGHT AND/OR NEAR LEFT OF THE MAJOR STREET. THE HEIGHT OF THE SIGNS SHALL BE 9' TO 11' MEASURED FROM THE EDGE OF THE PAVED SURFACE.

**PAYMENT:** ALL MATERIALS AND LABOR, INCLUDING INCIDENTAL WORK TO ERECT SIGNS AND SUPPORTS SHALL BE PAID FOR UNDER THE FOLLOWING:

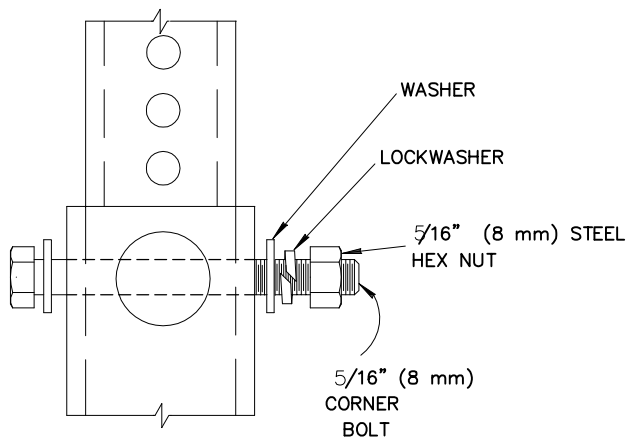
- ITEM 630, SIGN DOUBLE FACE, STREET NAME, AS PER PLAN
- ITEM 630, STREET NAME SIGN SUPPORT, NO. 3 POST, AS PER PLAN

_____ DELAWARE COUNTY ENGINEER		
DRAWING NO. DCED-R2185	SHEET NO. 1 OF 2	REV. DATE 01-22-18

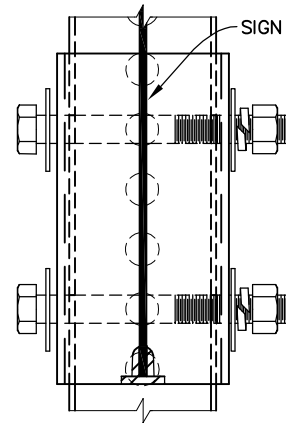
STANDARD CONSTRUCTION DRAWING

**STREET NAME SIGN**

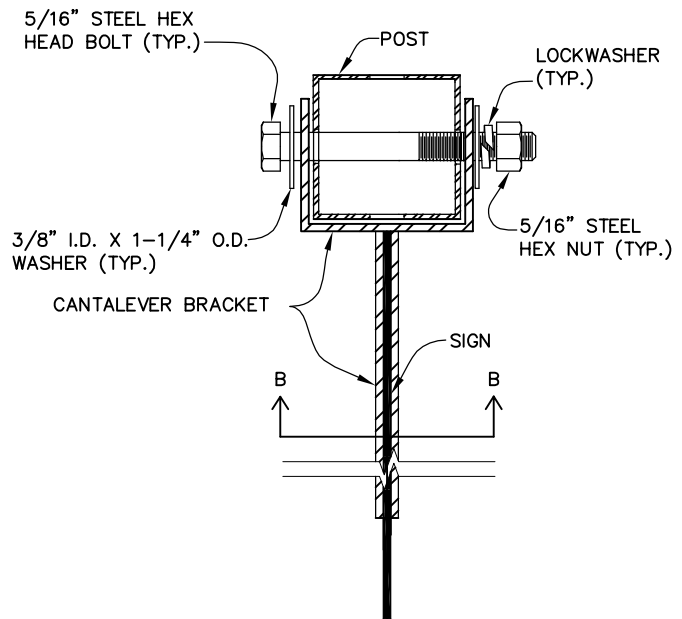
CHRIS E. BAUSERMAN, P.E., P.S.  
 DELAWARE COUNTY ENGINEER  
 50 CHANNING STREET  
 DELAWARE, OHIO 43015  
 PHONE: (740)833-2400 FAX: (740)833-2399  
 WWW.DELAWARECOUNTYENGINEER.ORG



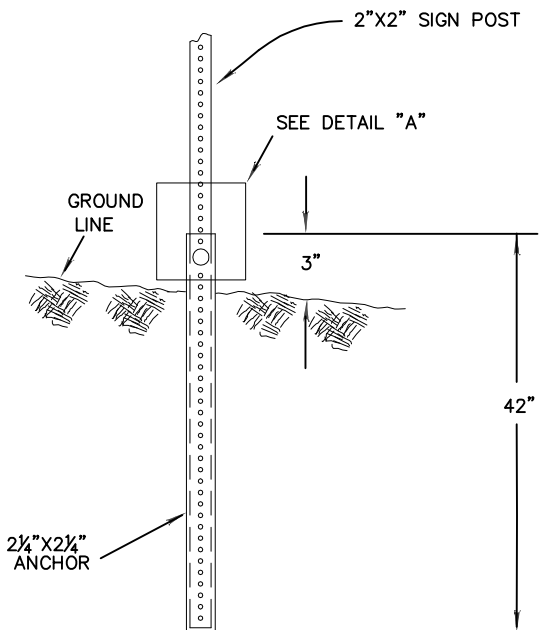
**DETAIL "A"**



**DETAIL "B"**



**SQUARE POST  
 SIGN ATTACHMENT DETAIL**



**TYPICAL SQUARE POST ANCHOR  
 BASE INSTALLATION**

DELAWARE COUNTY ENGINEER			STANDARD CONSTRUCTION DRAWING	CHRIS E. BAUSERMAN, P.E., P.S. DELAWARE COUNTY ENGINEER 50 CHANNING STREET DELAWARE, OHIO 43015 PHONE: (740)833-2400 FAX:(740)833-2399 WWW.DELAWARECOUNTYENGINEER.ORG
DRAWING NO. DCED-R2185	SHEET NO. 2 OF 2	REV. DATE 01-22-18	<b>STREET NAME SIGN</b>	