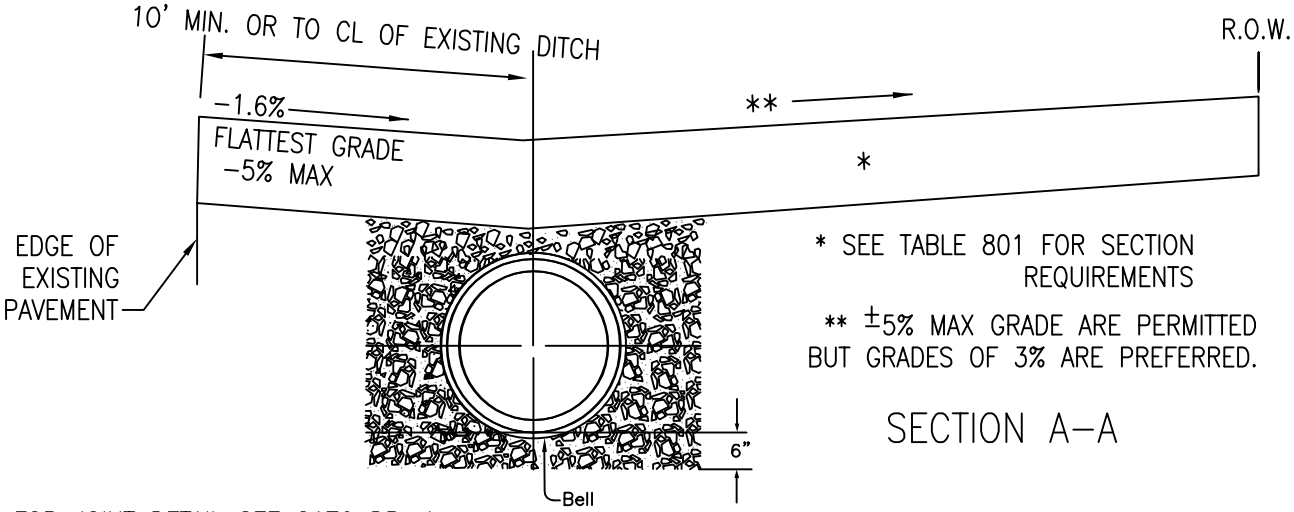


*** WHERE CONCRETE IS PROVIDED WITHIN THE R/W, PROVIDE ASPHALT CONCRETE IN AREA ADJACENT TO COUNTY OR TOWNSHIP ROAD WITH BUILDUP IN ACCORDANCE WITH TABLE 801.



FOR JOINT DETAIL SEE 2170 DR. A

THE CONTRACTOR SHALL BE RESPONSIBLE FOR COORDINATING ALL INSPECTIONS FOR THE CONSTRUCTION OF THE DRIVEWAY WITH THE COUNTY INSPECTION DEPARTMENT AT 740-833-2400.

CHRIS E. BAUSERMAN, P.E., P.S. Delaware County Engineer		STANDARD CONSTRUCTION DRAWING COMMERCIAL DRIVE APPROACH OPEN DITCH (W/ NO CURB WITHIN R/W)		DELAWARE COUNTY ENGINEER'S OFFICE 50 Channing Street Delaware, Ohio 43015 PHONE: (740)833-2400 FAX: (740)833-2399 www.co.delaware.oh.us	
Delaware County Engineer				Drawn <u>KS</u> sheet <u>1</u> Checked <u>EM</u> of <u>1</u>	
APPROVED 1-22-2008	REVISED 11-10-2014			FILE NO. DCED-R2203B	