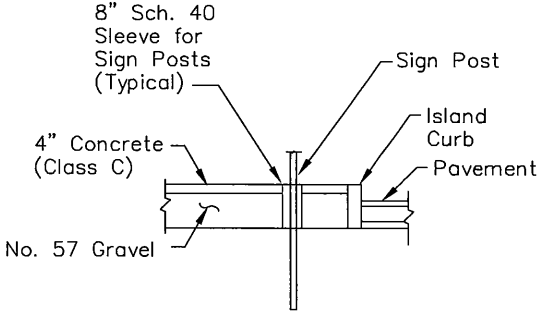
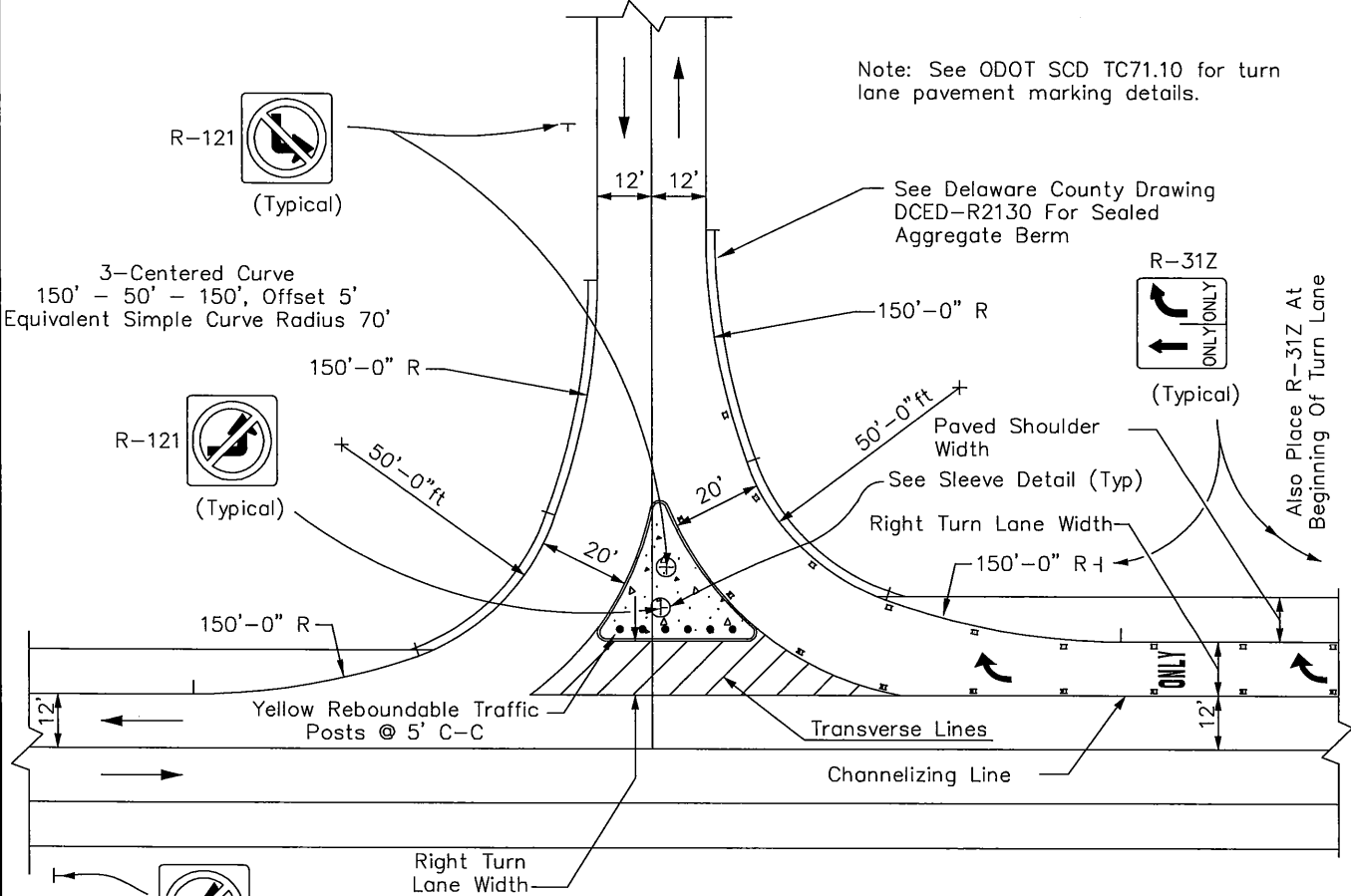


FOR ALIGNMENTS OR ORIENTATIONS
OTHER THAN 90°, THE SPECIFIC
ORIENTATION MUST BE APPROVED
BY THE DELAWARE COUNTY
ENGINEER'S OFFICE.



SLEEVE
DETAIL

Note: See ODOT SCD TC71.10 for turn
lane pavement marking details.



RURAL (UNCURBED) - RIGHT IN/RIGHT OUT
WITH RIGHT TURN LANE

CHRIS E. BAUSERMAN, P.E., P.S.
Delaware County Engineer

Chris Bauserman
Delaware County Engineer

STANDARD CONSTRUCTION DRAWING

RIGHT IN/RIGHT OUT
WITH RIGHT TURN LANE

DELAWARE COUNTY ENGINEER'S OFFICE
50 Channing Street
Delaware, Ohio 43015
PHONE: (740)833-2400 FAX: (740)833-2399
www.co.delaware.oh.us

APPROVED
1-04-2010

REVISED

Drawn EM sheet 2
Checked EM of 2

FILE NO.
DCED-R2451B