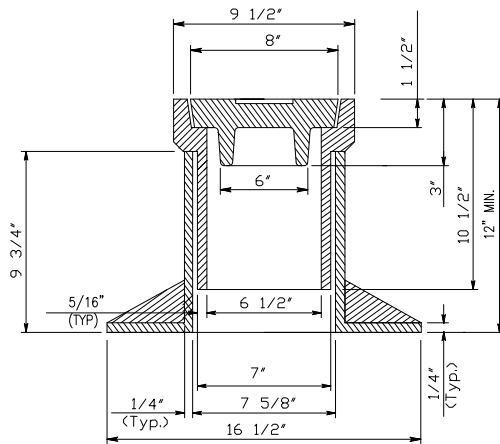
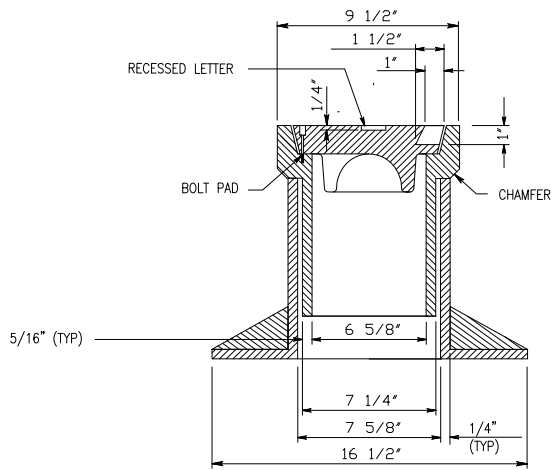


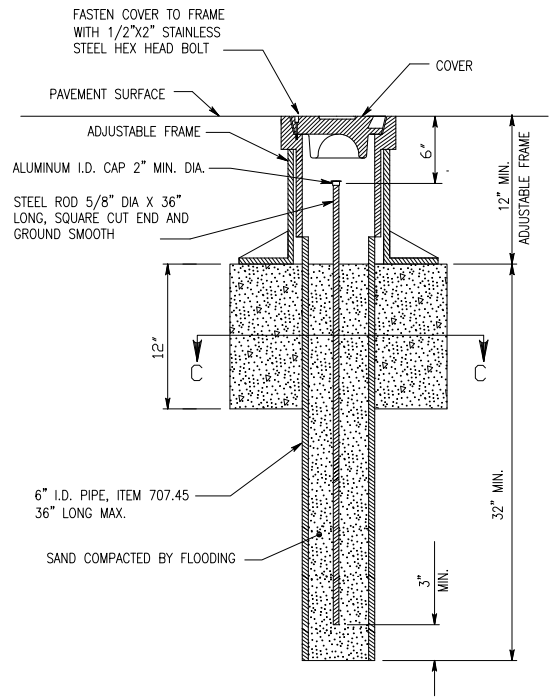
TOP VIEW



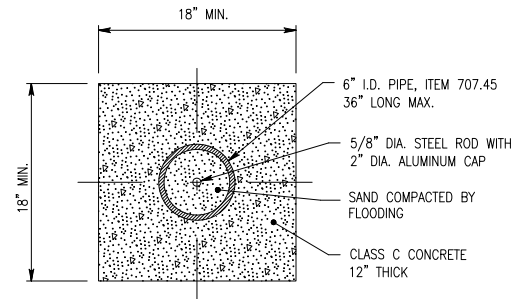
SECTION A-A



SECTION B-B



SIDE VIEW



SECTION C-C

NOTE: ALL REFERENCES ARE TO THE ODOT CMS, CURRENT EDITION.

MONUMENT ASSEMBLY

CHRIS E. BAUSERMAN, P.E., P.S.
Delaware County Engineer

STANDARD CONSTRUCTION DRAWING

DELAWARE COUNTY ENGINEER'S OFFICE
50 Channing Street
Delaware, Ohio 43015
PHONE: (740)833-2400 FAX: (740)833-2399
www.co.delaware.oh.us

ROADWAY
MONUMENTS

Delaware County Engineer

APPROVED
1-22-2008

REVISED
01-04-2010

Drawn KS sheet 1 FILE NO.
Checked EM of 1 DCED-R2470