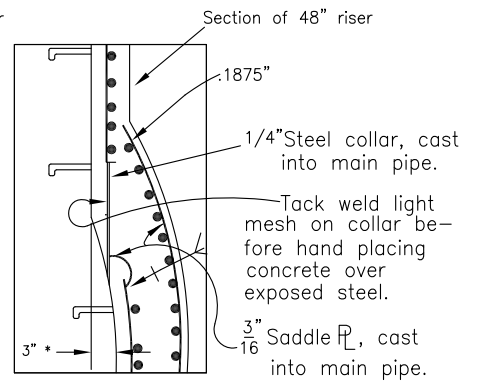


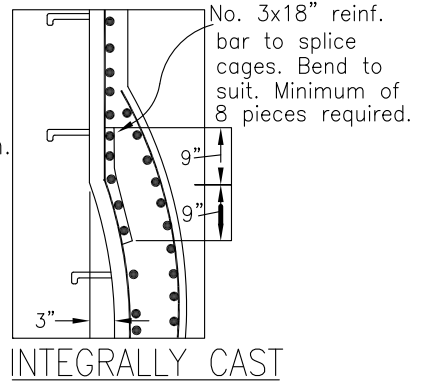
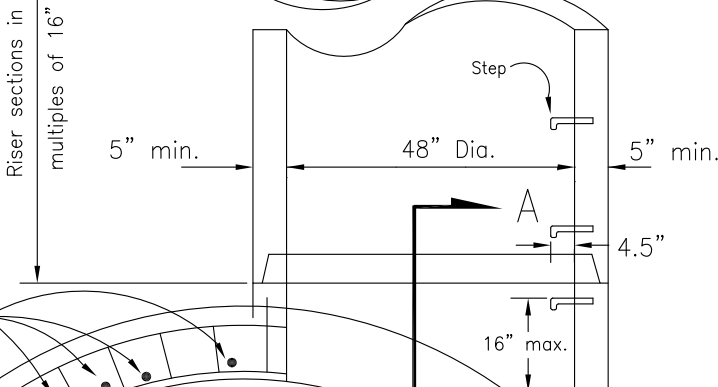
See Drawing DCED-S112  
 Grade rings or bricks  
 Mortar  
 Maximum of 18" from top of manhole cover to top of precast section unless otherwise noted.

DO NOT EXCEED 28"

APPLICATION: Type "F" Manhole shown may only be used where no change in pipe size, direction, or slope occurs, and no lateral sewers enter the manhole below the riser section.



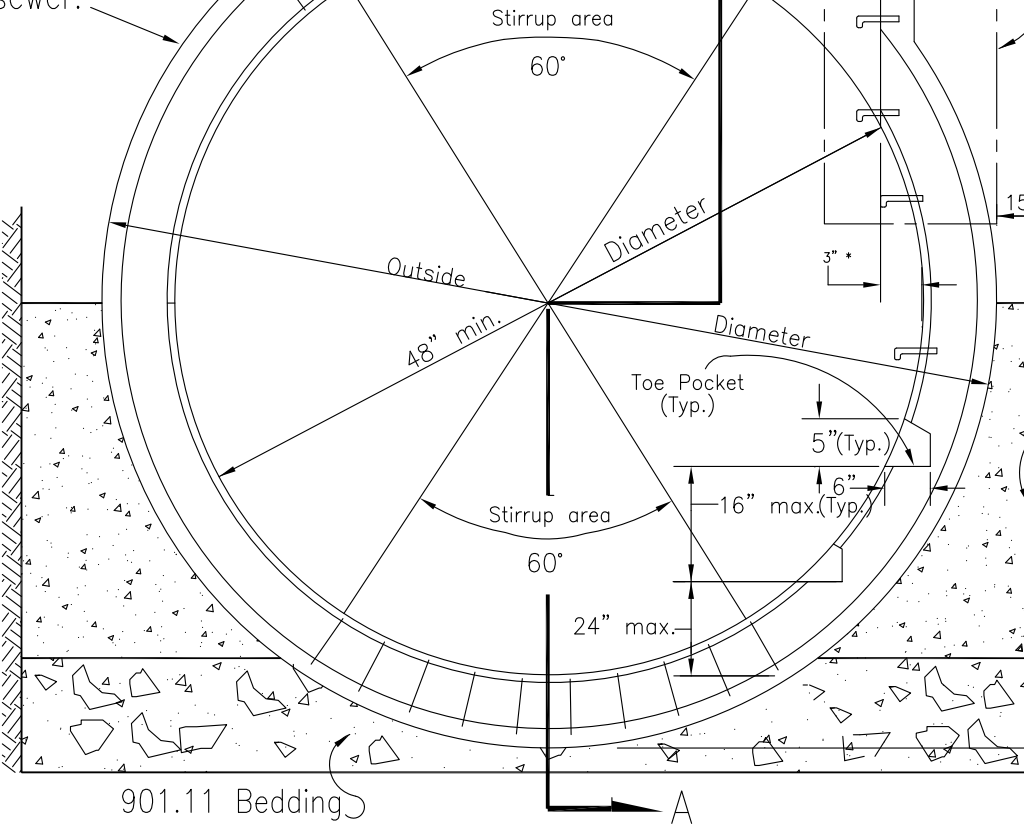
PLANT FABRICATED



INTEGRALLY CAST

Longitudinal bars full length of pipe

Same class pipe as the main sewer.



See Details

\* On all sizes larger than 48"

Trench wall

Backing shall be Class "C" concrete

O.D.  
 10  
 6" MIN

901.11 Bedding

CHRIS E. BAUSERMAN, P.E., P.S.  
 Delaware County Engineer

STANDARD CONSTRUCTION DRAWING

DELAWARE COUNTY ENGINEER'S OFFICE  
 50 Channing Street  
 Delaware, Ohio 43015  
 PHONE: (740)833-2400 FAX: (740)833-2399  
 www.co.delaware.oh.us

TYPE "F" MANHOLE  
 PRECAST BASE  
 48" DIA. & LARGER

APPROVED  
 1-22-2008

REVISED  
 1-04-2010

Drawn KS sheet 1  
 Checked EM of 2

FILE NO.  
 DCED-S105A