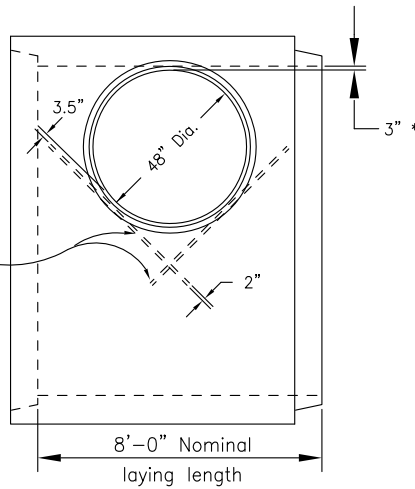


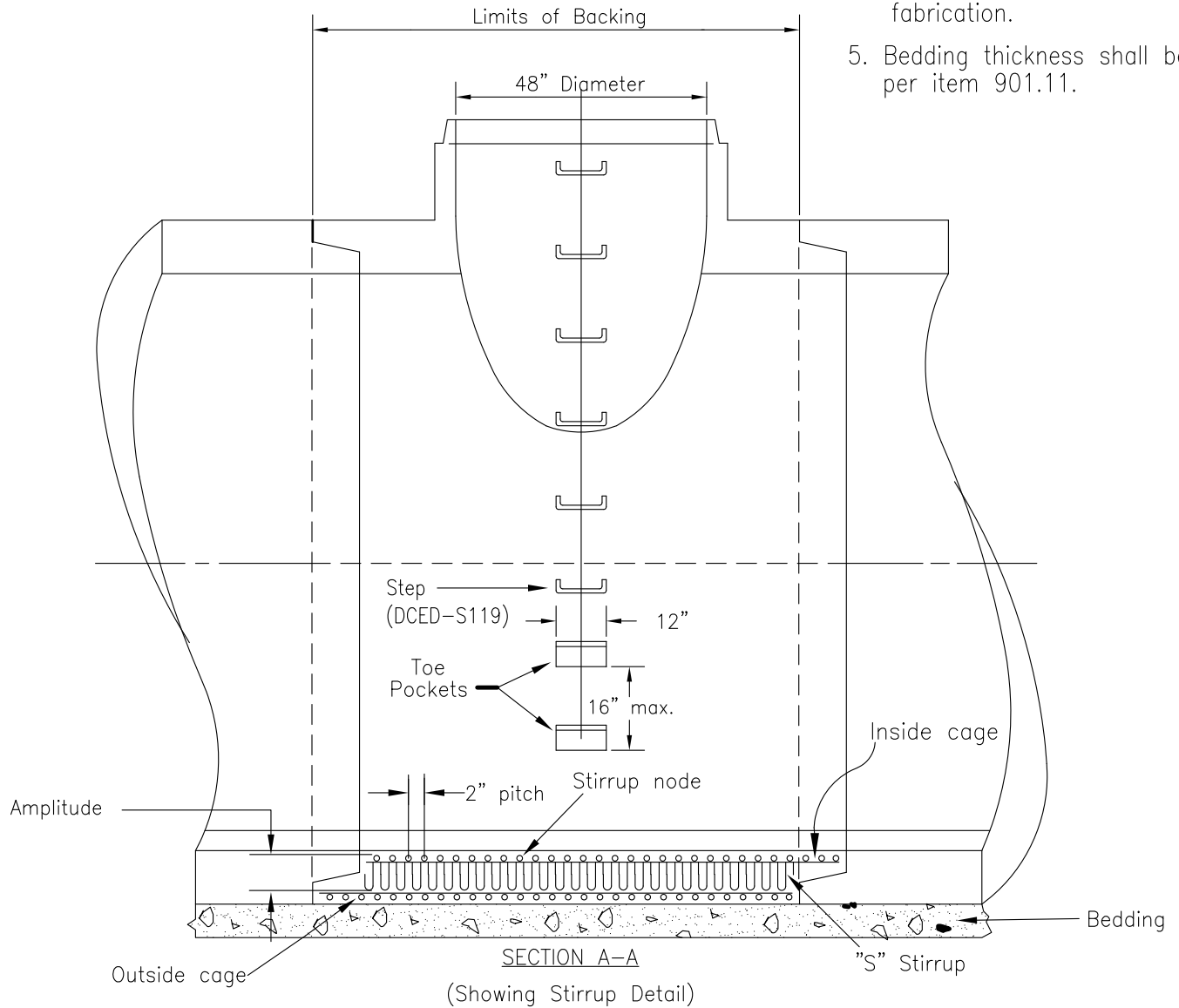
6'-0", 45° Diagonal reinforcing bars (4 total) for 72" and larger openings only. Location of diagonal reinforcing shall be shown on shop drawings.



* On all sizes except 48"

NOTES:

1. Joints shall be as specified under 604.06.
2. Backing shall be Class "C" Concrete.
3. Manhole must be in accordance with ASTM C-478.
4. Shop drawings must be approved by the County Engineer prior to fabrication.
5. Bedding thickness shall be per item 901.11.



CHRIS E. BAUSERMAN, P.E., P.S.
Delaware County Engineer

STANDARD CONSTRUCTION DRAWING

DELAWARE COUNTY ENGINEER'S OFFICE
50 Channing Street
Delaware, Ohio 43015
PHONE: (740)833-2400 FAX: (740)833-2399
www.co.delaware.oh.us

TYPE "F" MANHOLE
PRECAST BASE
48" DIA. & LARGER

APPROVED
1-22-2008

REVISED
1-04-2010

Drawn KS sheet 2 FILE NO.
Checked KS of 2 DCED-S105B