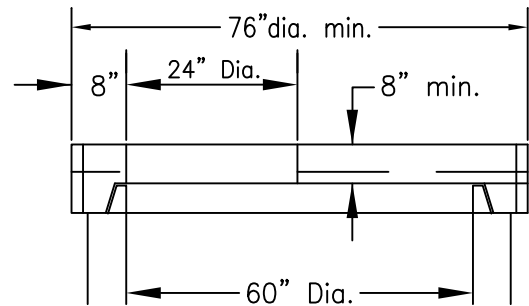
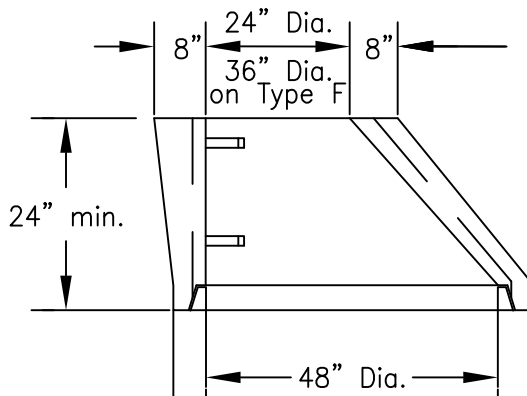


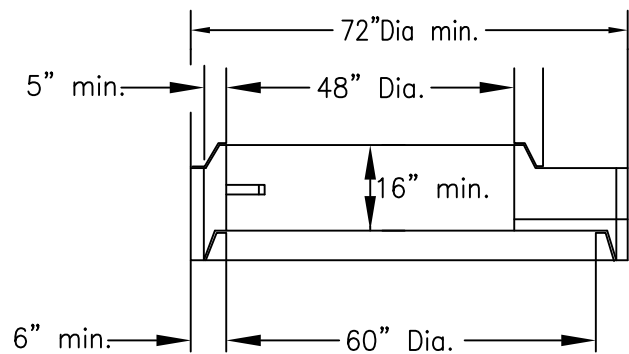
FLAT SLAB TOP
(48" Risers)



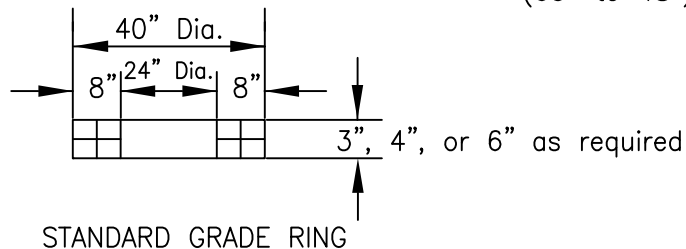
FLAT SLAB TOP
(60" Risers)



ECCENTRIC CONE TOP
(48" Risers)



FLAT SLAB TRANSITION
(60" to 48")



STANDARD GRADE RING

NOTE:

All items shall be in accordance with ASTM C-478.

CHRIS E. BAUSERMAN, P.E., P.S.
Delaware County Engineer

Delaware County Engineer

STANDARD CONSTRUCTION DRAWING
MISCELLANEOUS ITEMS
PRECAST MANHOLES

DELAWARE COUNTY ENGINEER'S OFFICE
50 Channing Street
Delaware, Ohio 43015
PHONE: (740)833-2400 FAX: (740)833-2399
www.co.delaware.oh.us

APPROVED
1-22-2008

REVISED
1-04-2010

Drawn KS
Checked EM

sheet 1
of 1

FILE NO.
DCED-S107