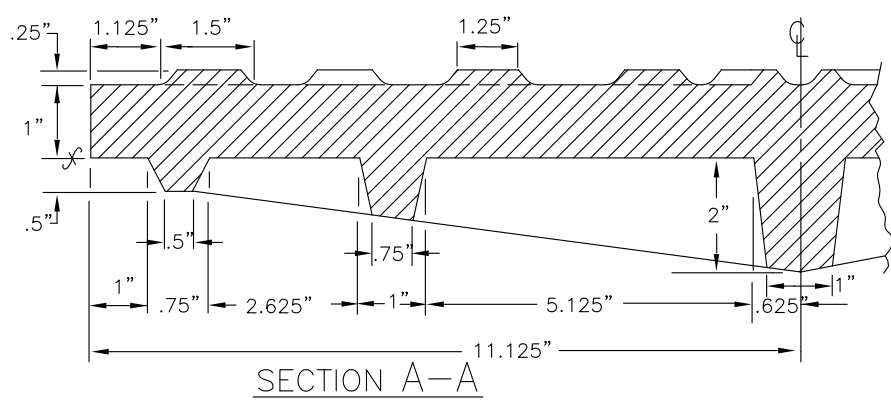
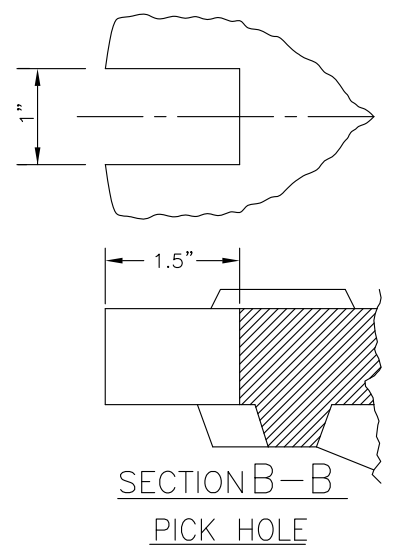
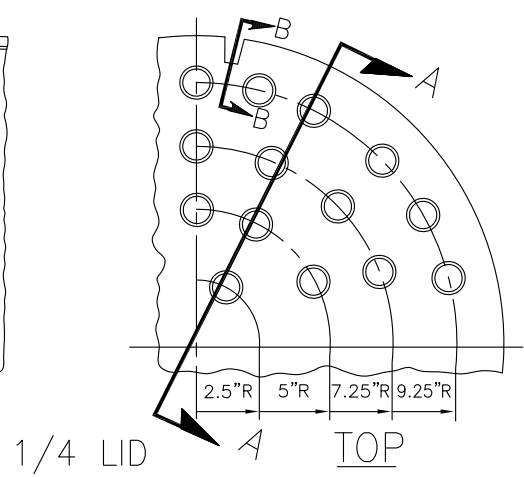
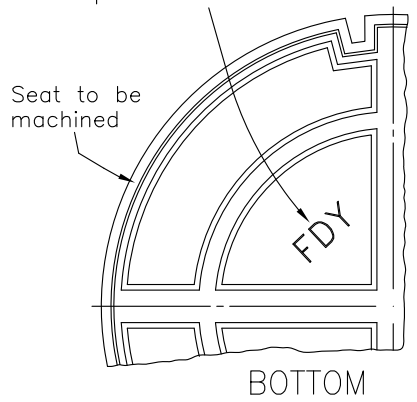


Approx. Weight=355 lbs.



Foundry name shall be cast on the underneath or unexposed surface.



Note:

Frames, grates, and covers shall meet the requirements of 604.02 and AASHTO M306
 County name shall be cast in to the top of the lid.

<p>CHRIS E. BAUSERMAN, P.E., P.S. Delaware County Engineer</p>	<p>STANDARD CONSTRUCTION DRAWING</p> <p>STANDARD DIMENSIONS FOR MANHOLE FRAME AND COVER CASTING</p>	<p>DELAWARE COUNTY ENGINEER'S OFFICE 50 Channing Street Delaware, Ohio 43015 PHONE: (740)833-2400 FAX: (740)833-2399 www.co.delaware.oh.us</p>
<p>APPROVED 1-22-2008</p>	<p>REVISD 1-04-2010</p>	<p>Drawn <u>RMR</u> sheet <u>1</u> FILE NO. Checked <u>EM</u> of <u>1</u> DCED-S112</p>