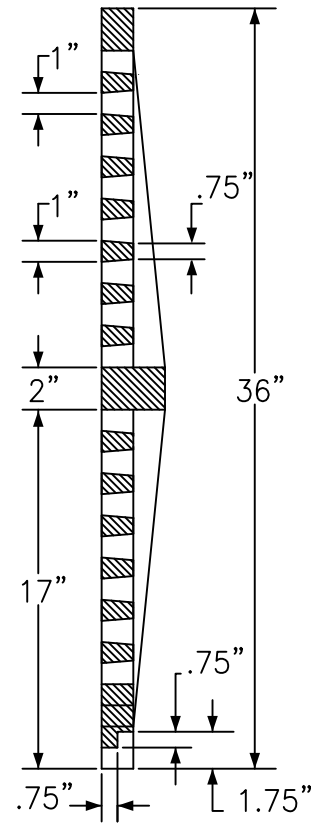
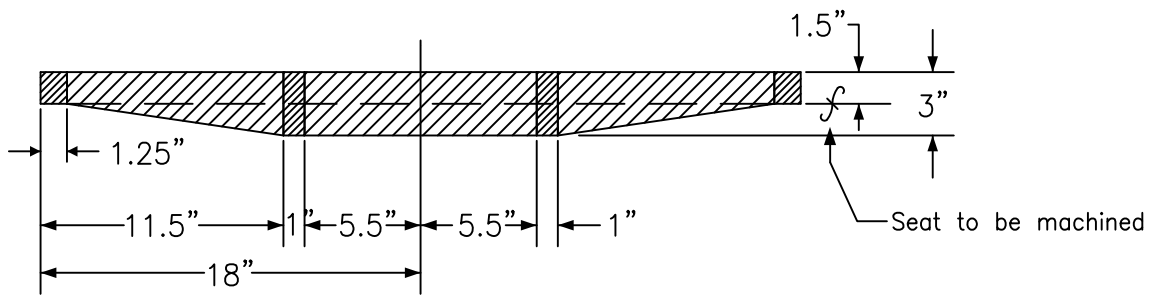


IMPRINT DELAWARE COUNTY IN CASTING



SECTION B-B



SECTION A-A

Std. Frame as detailed on DCED-S114A shall be used.
Weight = 227 lbs.

CHRIS E. BAUSERMAN, P.E., P.S.
Delaware County Engineer

Delaware County Engineer

APPROVED
1-22-2008

REVISED
1-04-2010

STANDARD CONSTRUCTION DRAWING

GRATING LID FOR
36" MANHOLE FRAME
(HEAVY DUTY)
(STORM SEWERS)

DELAWARE COUNTY ENGINEER'S OFFICE

50 Channing Street
Delaware, Ohio 43015

PHONE: (740)833-2400 FAX: (740)833-2399

www.co.delaware.oh.us

Drawn KS
Checked EM

sheet 1
of 1

FILE NO.
DCED-S116