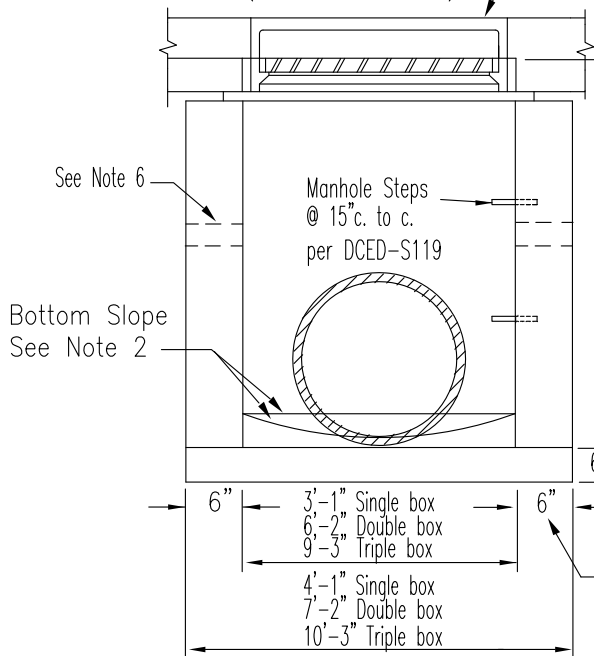
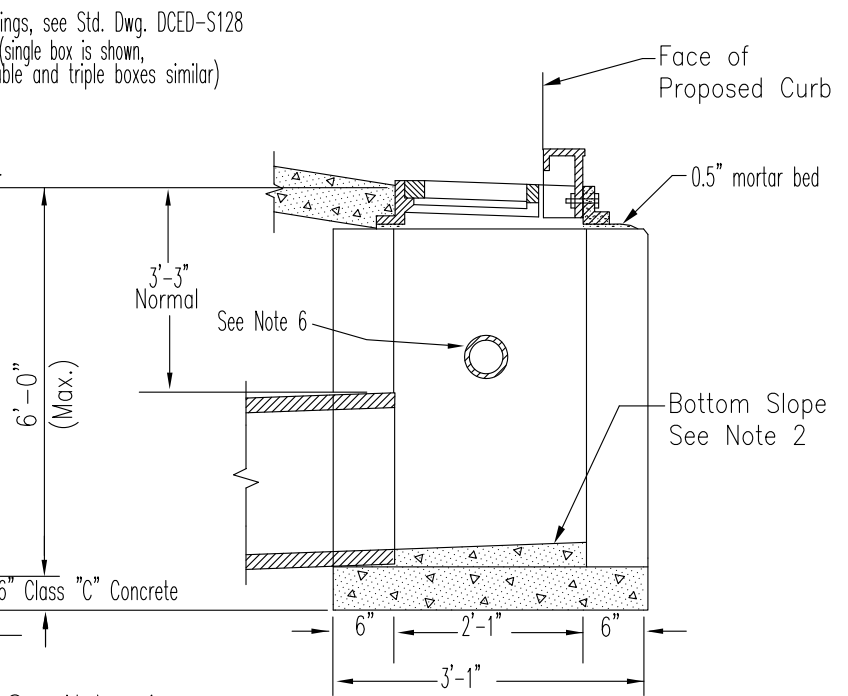


Castings shall be in accordance with DCED-S128. Double and triple boxes shall have the dimensions as shown below.

PLAN VIEW  
(COVER REMOVED)



ELEVATION



SECTION A-A

NOTES:

1. Precast walls shall have a minimum thickness of 6 inches and be reinforced sufficiently to permit shipping and handling without damage.
2. The inlet bottom shall be shaped to provide slope of 4" to 6" to outlet pipe. The cross sectional form of bottom and longitudinal slope is to be adapted to location of outlet pipe as directed.
3. Outlet pipe may be located in front or back and shall be directed towards the center of the inlet.
4. The back fill around structure shall be # 57 stone or per current County Standards.
5. Precast only
6. Place 4" under drain stubs 30" below top of curb or as directed.
7. Maximum pipe diameter is 21" into front or backwalls. Openings in sidewalls are not permitted.
8. Place 1" preformed expansion joint filler in curb and gutter 5' from each side of inlet.

|  |  |   |
|--|--|---|
| CHRIS E. BAUSERMAN, P.E., P.S.<br>Delaware County Engineer<br><hr/> Delaware County Engineer | STANDARD CONSTRUCTION DRAWING<br>CURB & GUTTER INLET<br>(PRECAST ONLY) | DELAWARE COUNTY ENGINEER'S OFFICE<br>50 Channing Street<br>Delaware, Ohio 43015<br>PHONE: (740)833-2400 FAX: (740)833-2399<br>www.co.delaware.oh.us |
| APPROVED<br>1-22-2008  | REVISED<br>1-04-2010   | Drawn <u>KS</u> sheet <u>1</u> FILE NO.<br>Checked <u>EM</u> of <u>1</u> DCED-S125  |