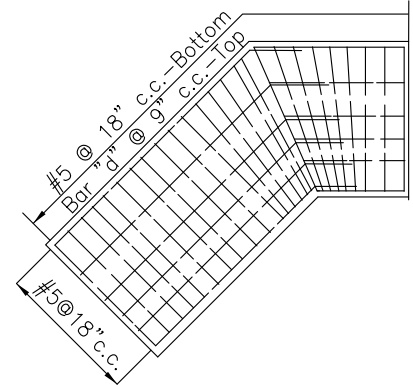
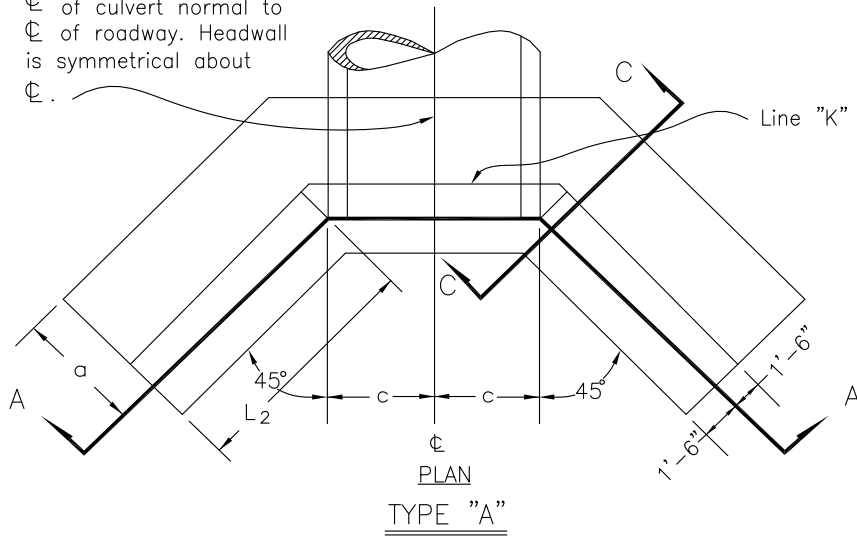
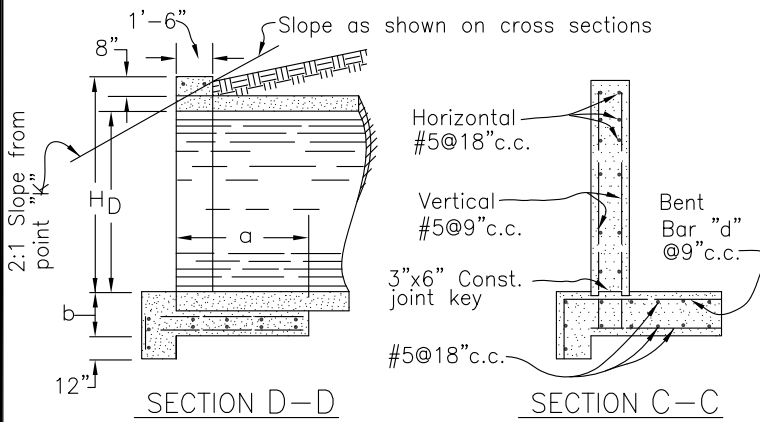


HALF-SECTION A-A

☉ of culvert normal to
☉ of roadway. Headwall
is symmetrical about
☉.



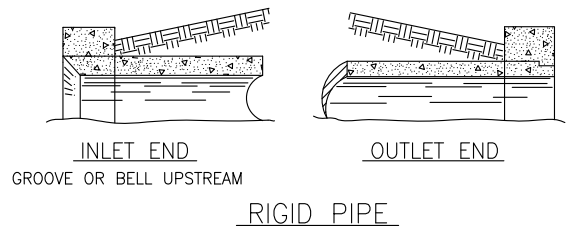
HALF-SECTION B-B



SECTION D-D

SECTION C-C

*One Wall



END TREATMENT OF HEADWALL

PIPE DIA. "D"	H	a	b	c	BAR "d"	$\phi = 0^\circ$				$\phi = 15^\circ$					
						L ₂	h ₂	C.Y.* CONC. R.C.P.	STEEL lb.	L ₁	L ₂	h ₁	h ₂	C.Y.* CONC. R.C.P.	STEEL lb.
42"	4'-11"	3'-3"	1'-6"	2'-6"	#5	3'-7"	3'-1"	6.7	598	8'-9"	4'-6"	3'-8"	3'-2"	7.1	619
48"	5'-5"	3'-6"	1'-6"	2'-9"	#5	4'-4"	3'-4"	8.2	793	10'-0"	5'-4"	4'-1"	3'-5"	8.7	776
54"	5'-11"	3'-9"	1'-6"	3'-0"	#5	5'-2"	3'-8"	10.0	1,069	11'-4"	6'-3"	4'-6"	3'-8"	10.5	1,026
60"	6'-6"	4'-0"	1'-6"	3'-3"	#5	5'-11"	3'-11"	11.8	1,149	12'-7"	7'-2"	4'-10"	4'-0"	12.4	1,174
72"	7'-7"	4'-6"	1'-7"	3'-9"	#7	7'-5"	4'-5"	16.2	1,783	15'-1"	8'-11"	5'-7"	4'-6"	17.1	1,811
84"	8'-8"	5'-0"	1'-10"	4'-3"	#8	9'-0"	5'-0"	22.8	2,595	17'-7"	10'-9"	6'-4"	5'-1"	23.9	2,596

CONT.
on
SHEET
2 of 2

CHRIS E. BAUSERMAN, P.E., P.S.
Delaware County Engineer

STANDARD CONSTRUCTION DRAWING

DELAWARE COUNTY ENGINEER'S OFFICE

50 Channing Street
Delaware, Ohio 43015

CAST IN PLACE PIPE
CULVERT HEADWALLS
42" - 84"

PHONE: (740)833-2400 FAX: (740)833-2399

www.co.delaware.oh.us

APPROVED
1-22-2008

REVISED
1-04-2010

Delaware County Engineer

Drawn KS
Checked EM

sheet 1
of 2

FILE NO.

DCED-S167A