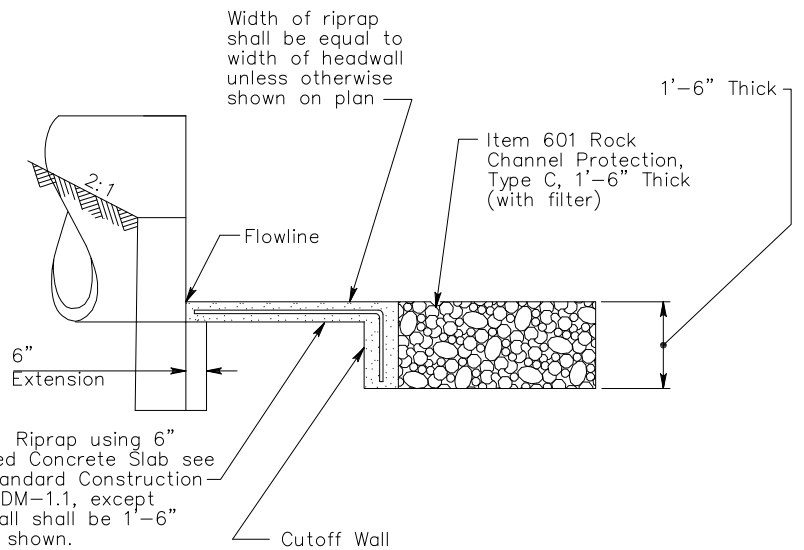
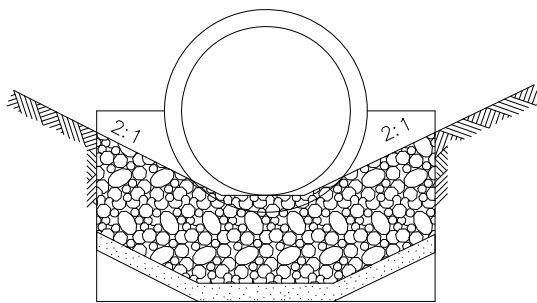


INLET CHANNEL PROTECTION  
DETAIL



OUTLET CHANNEL PROTECTION  
DETAIL



Width of riprap and rock channel protection shall be equal to the width of headwall unless otherwise shown on the plans. (Minimum width 4'-0".)

## NOTES

GENERAL: Provide a riprap reinforced concrete slab according to ODOT Standard Construction Drawing DM-1.1 if the pipe is depressed or is specified in the plan. Payment for the slab shall be made per square yard of Item 601 RipRap using 6" Reinforced Concrete Slab and shall include the cost of the cutoff wall. All references are to the ODOT Construction and Materials Specifications, Current Edition.

This drawing is for cast in place half-height concrete headwalls. When furnishing precast half-height headwalls, conform to pre-approved designs on file with the County Engineer. Precast half-height headwalls are only approved for round conduits with a maximum conduit diameter of 78".

CONCRETE: Concrete for headwalls shall be Class C.

CHRIS E. BAUSERMAN, P.E., P.S.  
Delaware County Engineer

*Delaware County Engineer*

STANDARD CONSTRUCTION DRAWING  
CHANNEL PROTECTION  
FOR CONCRETE PIPE

DELAWARE COUNTY ENGINEER'S OFFICE  
50 Channing Street  
Delaware, Ohio 43015  
PHONE: (740)833-2400 FAX: (740)833-2399  
www.co.delaware.oh.us

APPROVED

1-22-2008

REVISED

5-05-2011

Drawn KS  
Checked EM

sheet 1  
of 1

FILE NO.  
DCED-S176