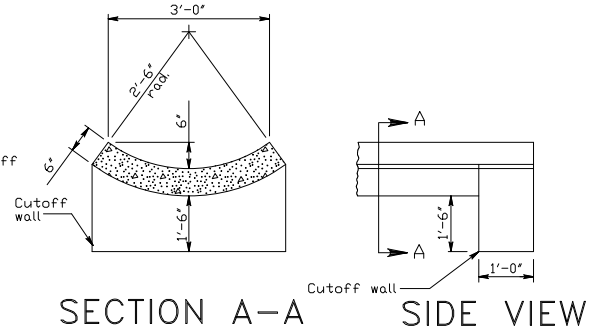
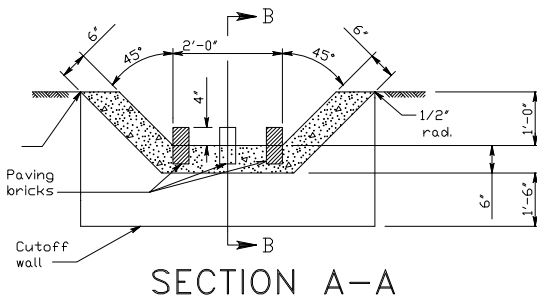


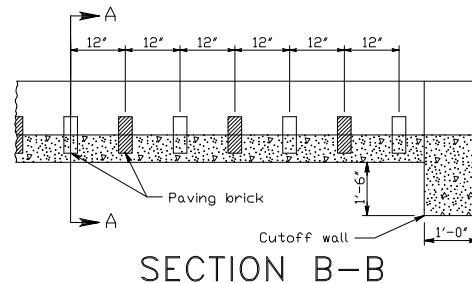
TYPE 1-2 W=2'-0"
 TYPE 1-4 W=4'-0"
 TYPE 1-6 W=6'-0"



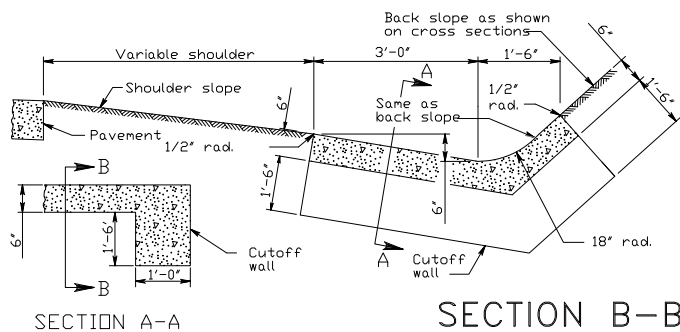
TYPE 2



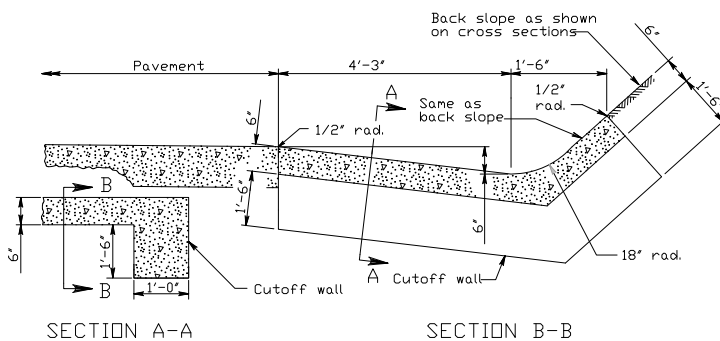
TYPE 3



SECTION B-B



TYPE 4



TYPE 5

STANDARD PAVED GUTTERS

NOTES

GENERAL: GUTTERS SHALL BE CONSTRUCTED OF CLASS C CONCRETE.

TYPE 3 GUTTER WITH BAFFLES MAY BE USED FOR STEEP SLOPES. GUTTER BLOCKS SHALL BE NEW OR USED PAVING BRICK OR PRECAST CONCRETE BLOCKS OF SIMILAR DIMENSION AND SHALL BE PLACED WITH THE OUTSIDE BLOCKS IN ONE ROW STAGGERED WITH THE CENTER BLOCKS AT 12" ON CENTER LONGITUDINALLY OR AS SHOWN ON THE PLAN.

CONSTRUCTION: CONCRETE GUTTERS SHALL HAVE IMPRESSED CONTRACTION JOINTS SPACED AT 10 FEET INTERVALS, UNLESS OTHERWISE SPECIFIED.

CONCRETE CUTOFF WALLS SHALL BE CONSTRUCTED AT THE BEGINNING AND END OF A GUTTER RUN EXCEPT WHERE THE GUTTER CONNECTS WITH AT CATCH BASIN OR INLET.

THE COST OF CUTOFF WALLS SHALL BE INCLUDED IN THE UNIT PRICE BID FOR THE GUTTER.

SOD: INSTALLATION AND PAYMENT FOR SOD SHALL BE IN ACCORDANCE WITH CMS 660.

PAVED GUTTERS SHALL BE USED WHERE REQUIRED BY THE COUNTY ENGINEER.

CHRIS E. BAUSERMAN, P.E., P.S.
 Delaware County Engineer

STANDARD CONSTRUCTION DRAWING

DELAWARE COUNTY ENGINEER'S OFFICE

50 Channing Street
 Delaware, Ohio 43015

PHONE: (740)833-2400 FAX: (740)833-2399

www.co.delaware.oh.us

PAVED
 GUTTERS

APPROVED
 1-04-2010

REVISED

Delaware County Engineer

Drawn KS sheet 1
 Checked EM of 1

FILE NO.
 DCED-S180