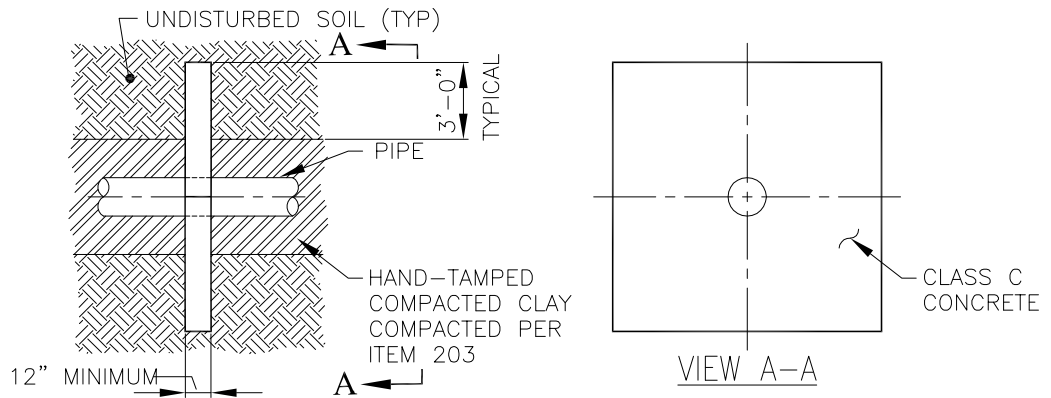


**ANTI-SEEP COLLAR NOTES:**

SPACING BETWEEN ADJACENT COLLARS SHALL BE A MINIMUM OF 5 FEET WITH THE FIRST COLLAR BEING A MINIMUM OF 5 FEET FROM THE INLET.

FURNISH A MINIMUM OF 2 COLLARS PER OUTLET CONDUIT.

ALL ANTI-SEEP COLLARS AND THEIR CONNECTIONS SHALL BE WATERTIGHT.



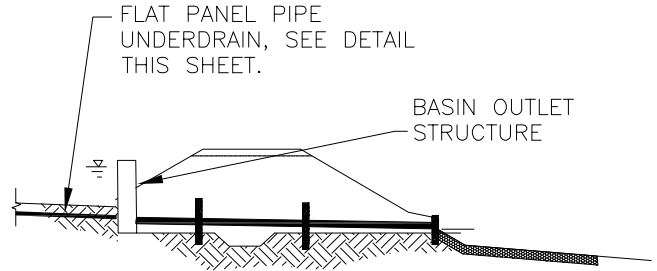
**ANTI-SEEP COLLAR DETAIL**

**UNDERDRAIN NOTES:**

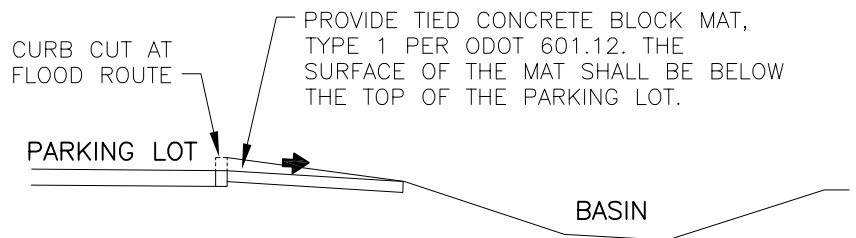
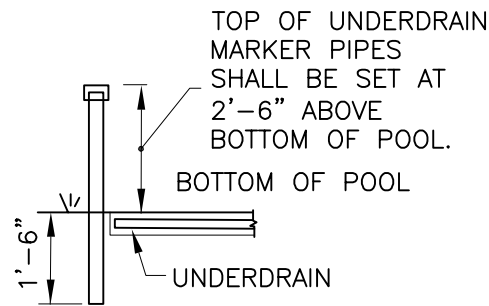
THE UNDERDRAIN SHALL BE 12" ADVANEDGE FLAT PANEL PIPE OR APPROVED EQUAL WITH FILTER FABRIC WRAP. THE FABRIC WRAP SHALL BE PER MANUFACTURER'S RECOMMENDATIONS. THE PANEL PIPE SHALL SLOPE POSITIVELY TOWARDS THE BASIN OUTLET STRUCTURE AND SHALL ENTER THE BASIN OUTLET STRUCTURE AT OR ABOVE THE THE STRUCTURE'S OUTLET PIPE'S INVERT ELEVATION.

THE CONTRACTOR SHALL INSTALL THE FLAT PANEL UNDERDRAINS AFTER COVER HAS BEEN ESTABLISHED.

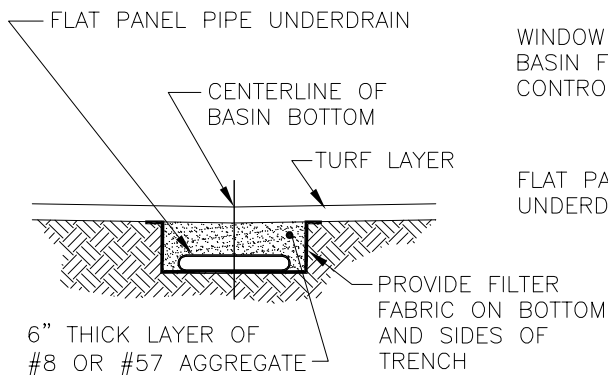
UNDERDRAIN SHALL BE MARKED WITH A CAPPED 4" VERTICAL PVC PIPE STUBBED 2'-6" ABOVE THE BOTTOM OF THE FORBAY AND THE MICROPOOL AS SHOWN BELOW:



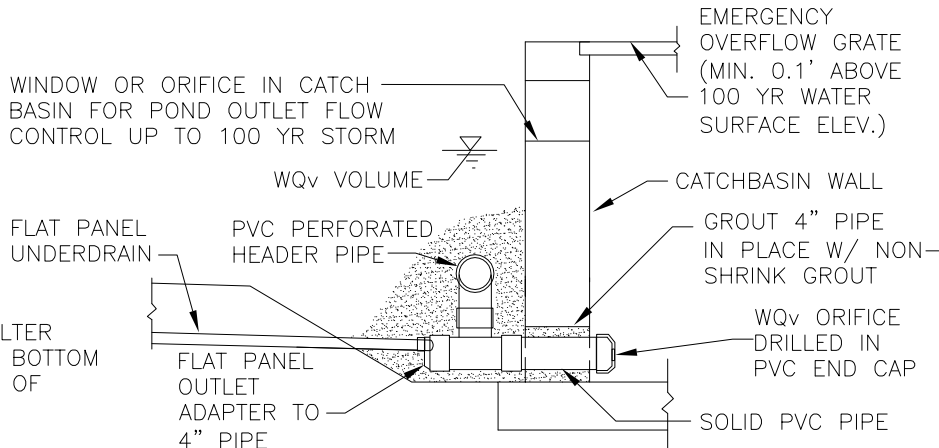
**UNDERDRAIN DETAIL**



**FLOOD ROUTES DOWNSTREAM OF PARKING LOTS**  
 ← = 100 YEAR FLOOD ROUTE



**FLAT PANEL PIPE UNDERDRAIN DETAIL**



**MODIFIED CATCH BASIN FOR UNDERDRAIN**

CHRIS E. BAUSERMAN, P.E., P.S. Delaware County Engineer	STANDARD CONSTRUCTION DRAWING DETENTION BASIN	DELAWARE COUNTY ENGINEER'S OFFICE 50 Channing Street Delaware, Ohio 43015 PHONE: (740)833-2400 FAX: (740)833-2399 www.co.delaware.oh.us
APPROVED 1-22-2008	REVISED 4-9-2013	Drawn EM sheet 2 FILE NO. Checked EM of 2 DCED-S440B