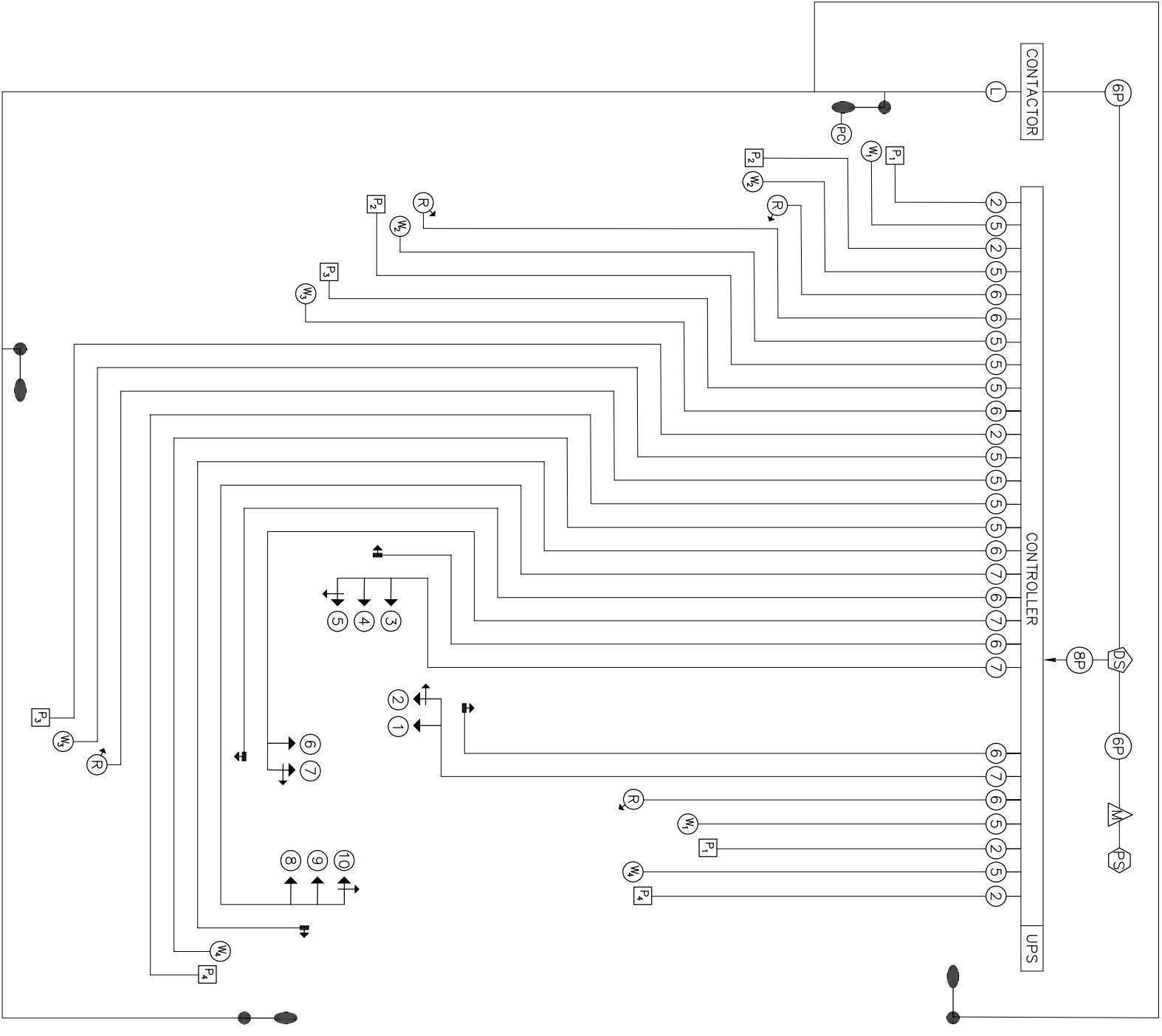


DELAWARE COUNTY ENGINEER'S OFFICE

50 CHANNING STREET, DELAWARE, OHIO 43015
 PHONE: 740-833-2400 FAX: 740-833-2399

LEGEND	
	POWER SERVICE 120/240 VOLTS SINGLE PHASE 3 WIRE
	METER
	DISCONNECT SWITCH
	3/C #8 AWG
	3/C #6 AWG
	DIST. CABLE #6 AWG (2-WIRE)
	#/C SIGNAL WIRE
	LUMINAIR
	PEDESTRIAN SIGNAL HEAD
	PEDESTRIAN PUSH BUTTON
	WAVETRONIX ADVANCE DETECTION
	WAVETRONIX STOP BAR DETECTION
	VEHICULAR SIGNAL HEAD
	CONTACTOR SHALL BE LOCATED IN THE CONTROL CABINET. PHOTOELECTRIC CELL SHALL BE LOCATED ON THE FIRST LUMINAIR FROM THE CONTACTOR ON THE CIRCUIT. SIGNAL EQUIPMENT TYPE AND LOCATION TO BE DETERMINED BY THE DESIGN ENGINEER.

WIRING DIAGRAM



EXAMPLE

REV. DATE 04-26-16

SIGNAL WIRING DIAGRAM

CALCULATED
MEYER
CHECKED
LOVE