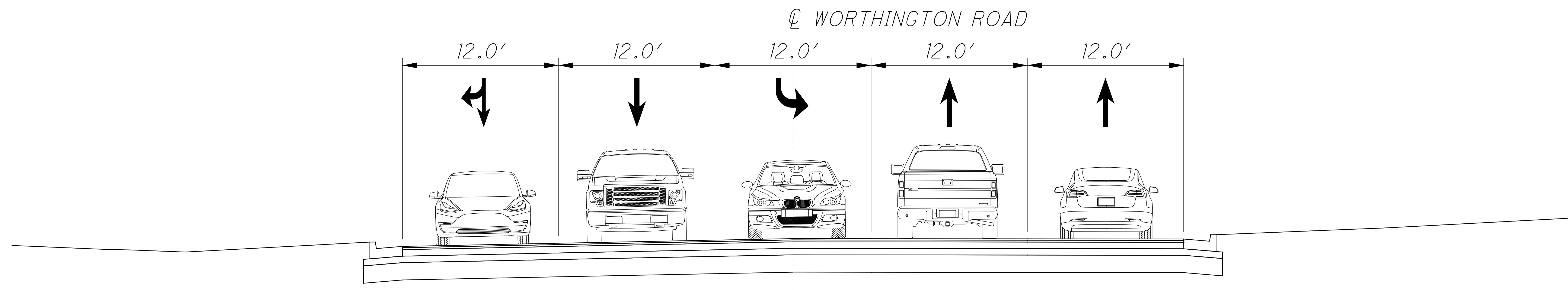
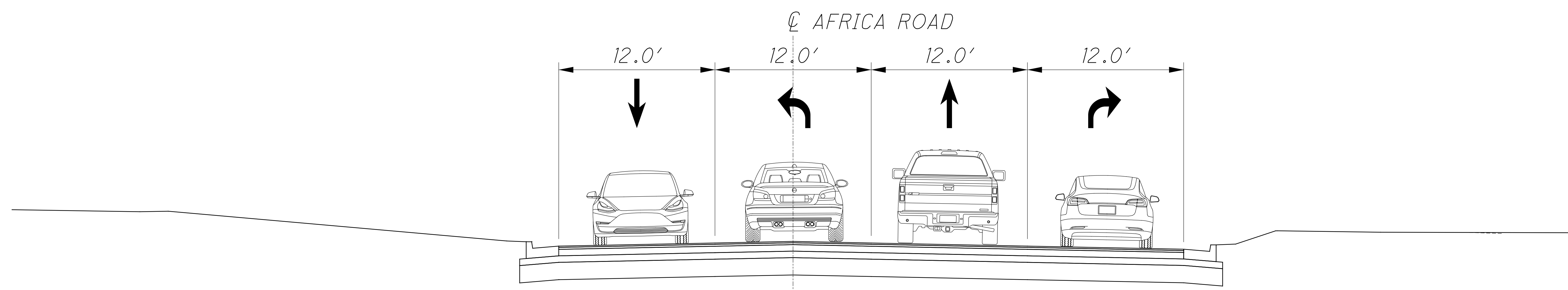


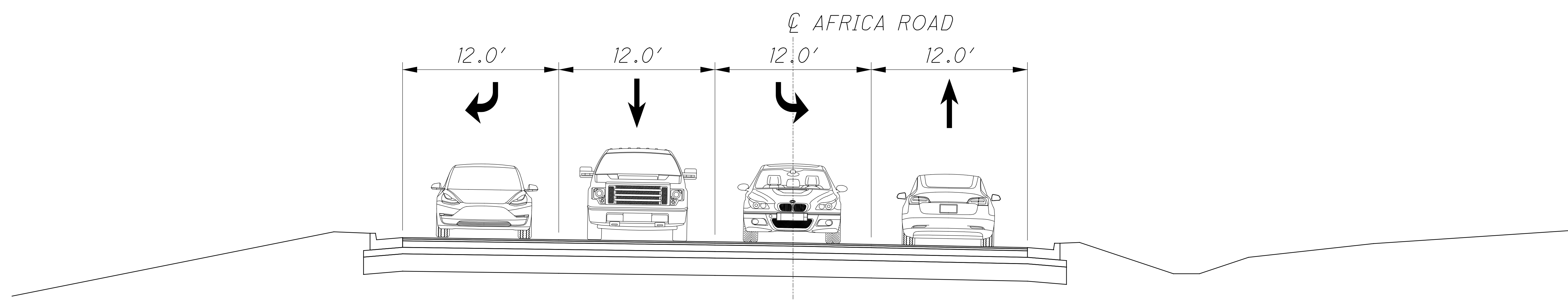
WORTHINGTON ROAD - STA. 145+00.00



WORTHINGTON ROAD - STA. 147+00.00



AFRICA ROAD - STA. 63+00.00



AFRICA ROAD - STA. 65+50.00



DEL - CR13 - 1.65
TYPICAL SECTIONS