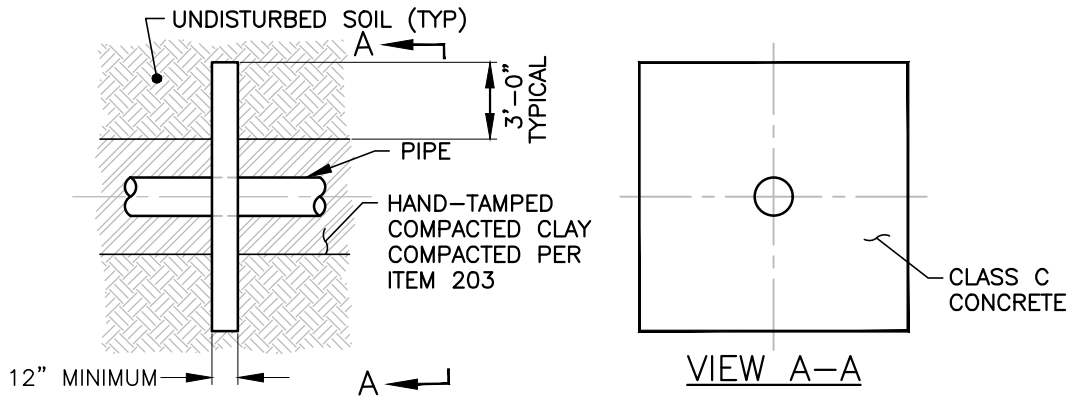


**ANTI-SEEP COLLAR NOTES:**

COLLAR SHALL BE A MINIMUM OF 5 FEET FROM THE INLET.

THE ANTI-SEEP COLLAR AND ITS CONNECTIONS SHALL BE WATERTIGHT.



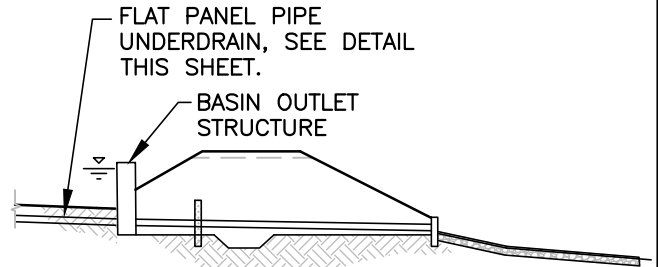
**ANTI-SEEP COLLAR DETAIL**

**UNDERDRAIN NOTES:**

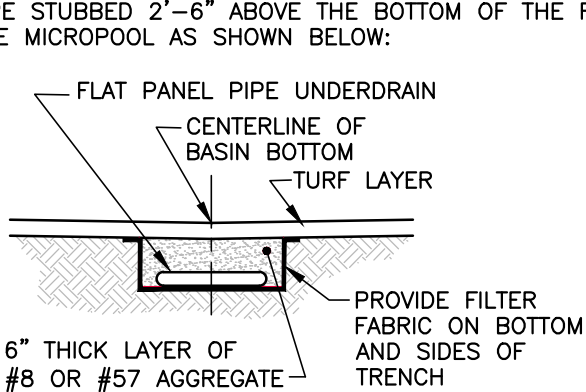
THE UNDERDRAIN SHALL BE 12" ADVANEDGE FLAT PANEL PIPE OR APPROVED EQUAL WITH FILTER FABRIC WRAP. THE FABRIC WRAP SHALL BE PER MANUFACTURER'S RECOMMENDATIONS. THE PANEL PIPE SHALL SLOPE POSITIVELY TOWARDS THE BASIN OUTLET STRUCTURE AND SHALL ENTER THE BASIN OUTLET STRUCTURE AT OR ABOVE THE THE STRUCTURE'S OUTLET PIPE'S INVERT ELEVATION.

THE CONTRACTOR SHALL INSTALL THE FLAT PANEL UNDERDRAINS AFTER COVER HAS BEEN ESTABLISHED.

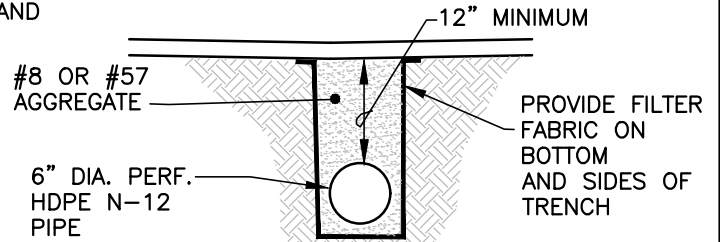
UNDERDRAIN SHALL BE MARKED WITH A CAPPED 4" VERTICAL PVC PIPE STUBBED 2'-6" ABOVE THE BOTTOM OF THE FORBAY AND THE MICROPOL AS SHOWN BELOW:



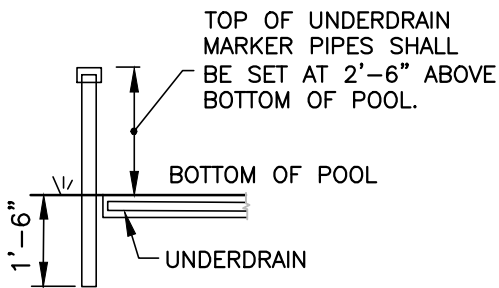
**UNDERDRAIN DETAIL**



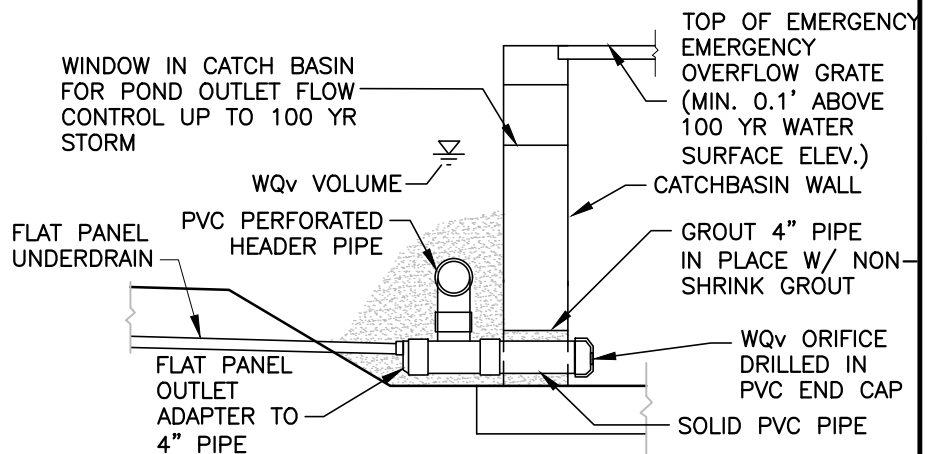
**FLAT PANEL PIPE UNDERDRAIN DETAIL**



**ALTERNATE UNDERDRAIN DETAIL**



**VERTICAL PIPE STUB**



**MODIFIED CATCH BASIN FOR UNDERDRAIN**



Chris E. Bauserman, P.E., P.S.  
Delaware County Engineer

APPROVED 01/22/2008

REVISED 04/02/2024

STANDARD CONSTRUCTION DRAWING

**DETENTION BASIN**

sheet 2 of 2

DCED-S440B